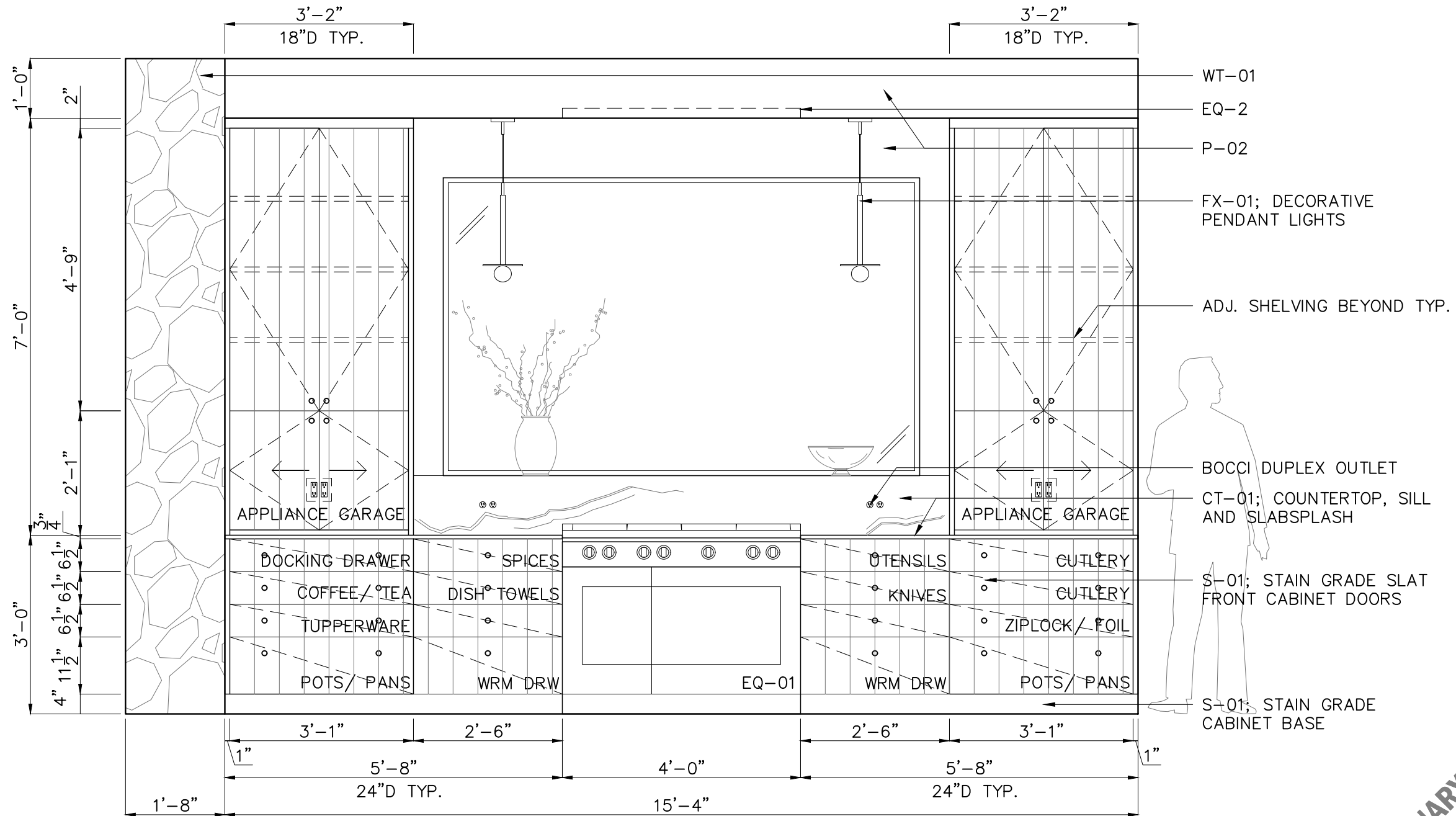




ETCH DESIGN GROUP

1602 TAYLOR GAINES STREET | AUSTIN, TX 78741

CKN CAPITAL GROUP



PRELIMINARY
NOT FOR CONSTRUCTION

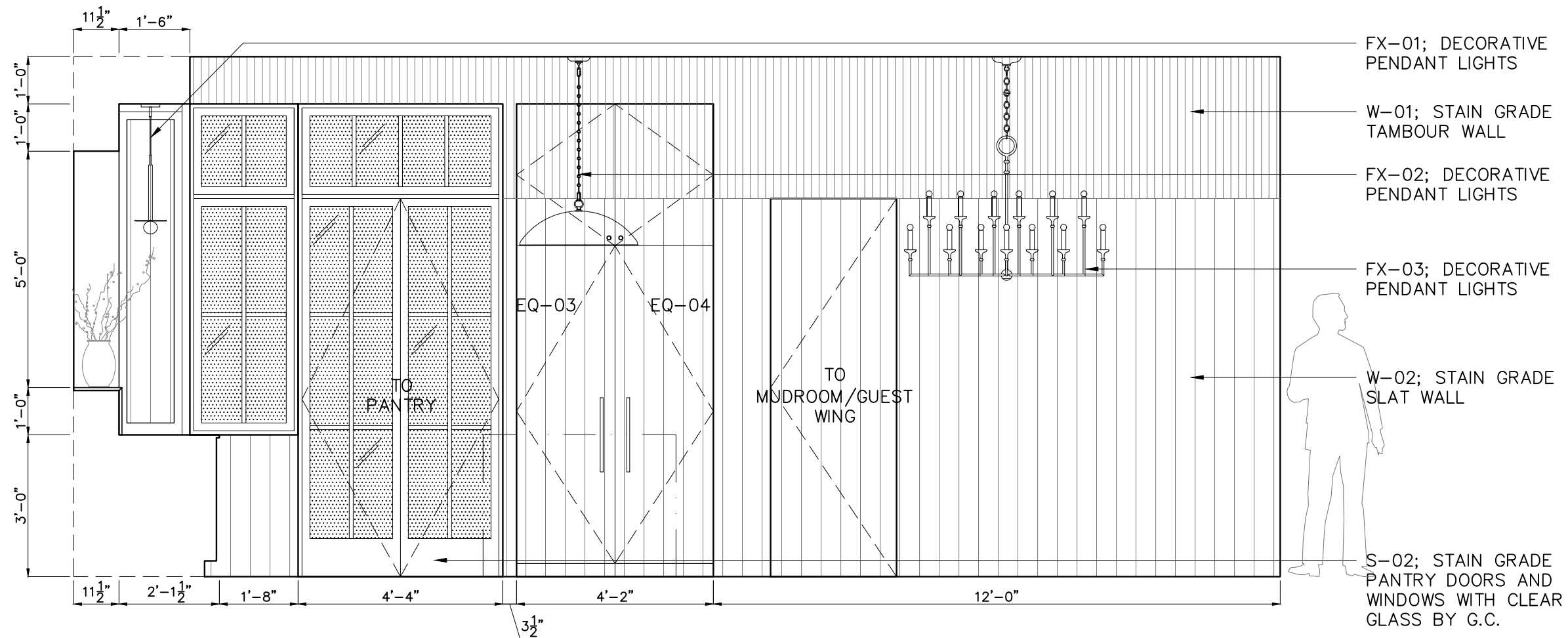
DATE: **04.13.2023**
DRAWING: **INT.ELEV.**
ISSUE: **DESIGN DEVELOPMENT**
DRAWING NUMBER:

ID4.01



ETCH DESIGN GROUP

CKN CAPITAL GROUP
1602 TAYLOR GAINES STREET | AUSTIN, TX 78741



PRELIMINARY
NOT FOR CONSTRUCTION

DATE: **04.13.2023**
DRAWING: **INT.ELEV.**
ISSUE: **DESIGN DEVELOPMENT**
DRAWING NUMBER:

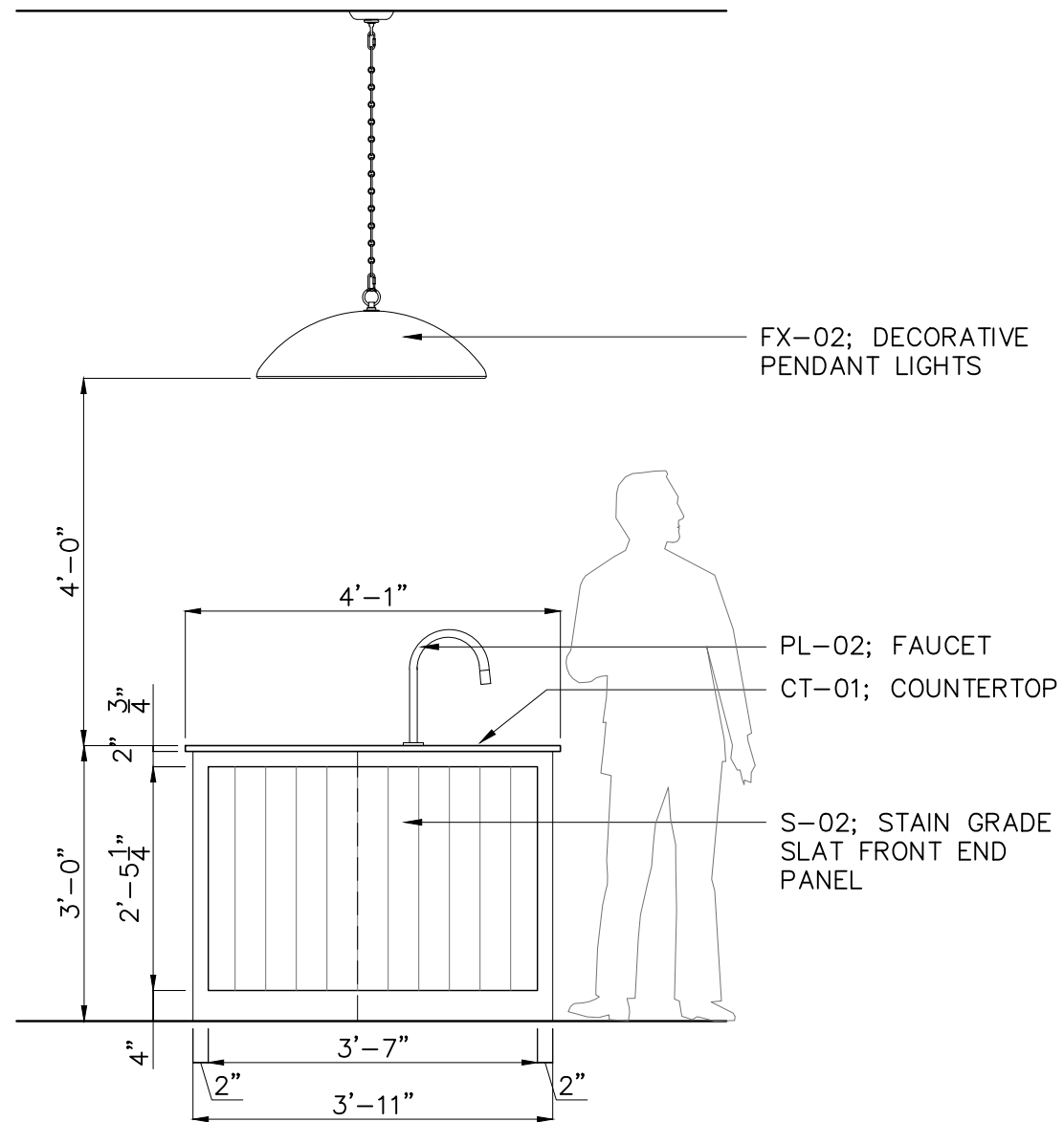
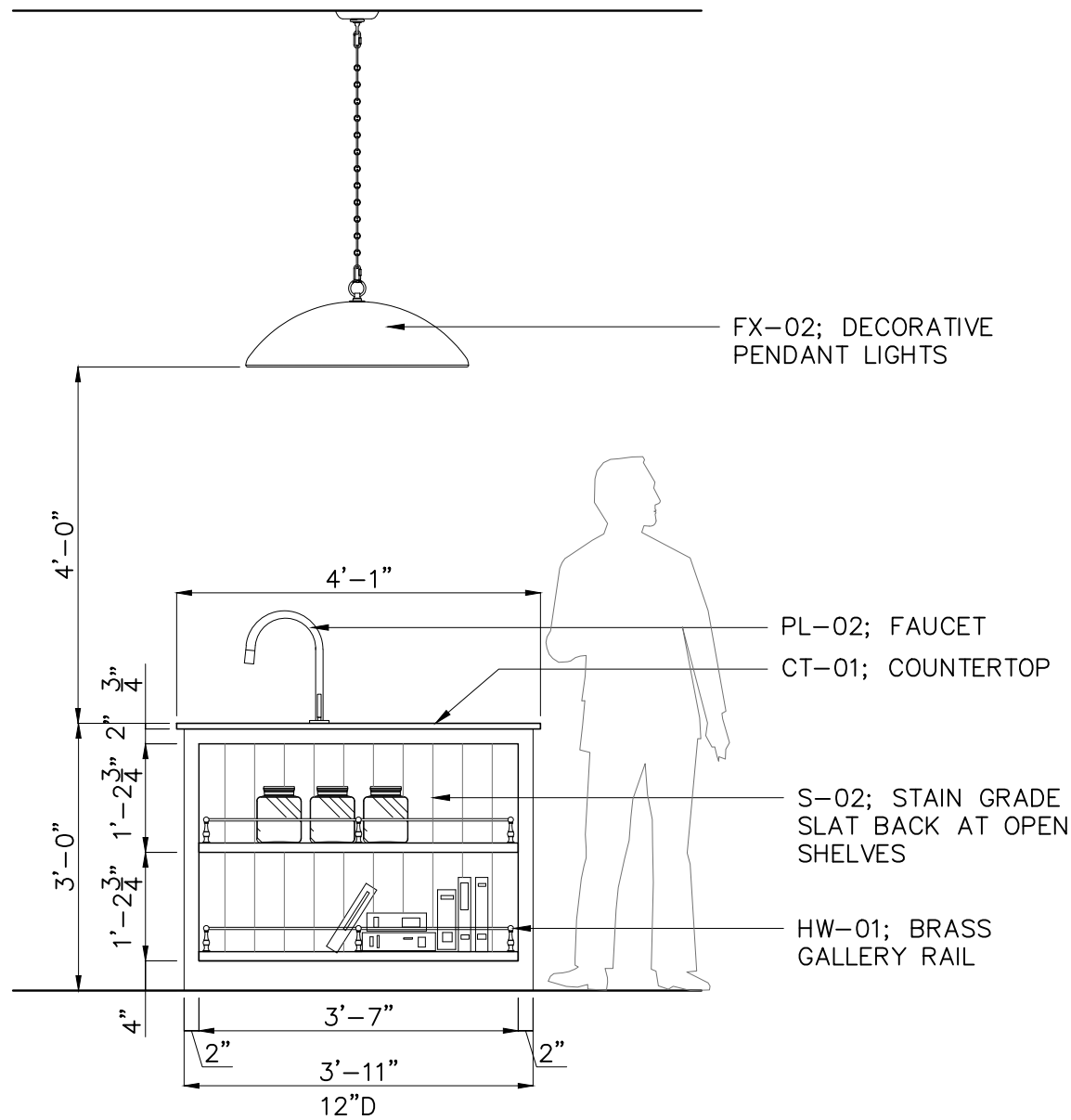
ID4.02



ETCH DESIGN GROUP

1602 TAYLOR GAINES STREET | AUSTIN, TX 78741

CKN CAPITAL GROUP



PRELIMINARY
NOT FOR CONSTRUCTION

DATE: 04.13.2023

DRAWING: INT.ELEV.

ISSUE: DESIGN DEVELOPMENT

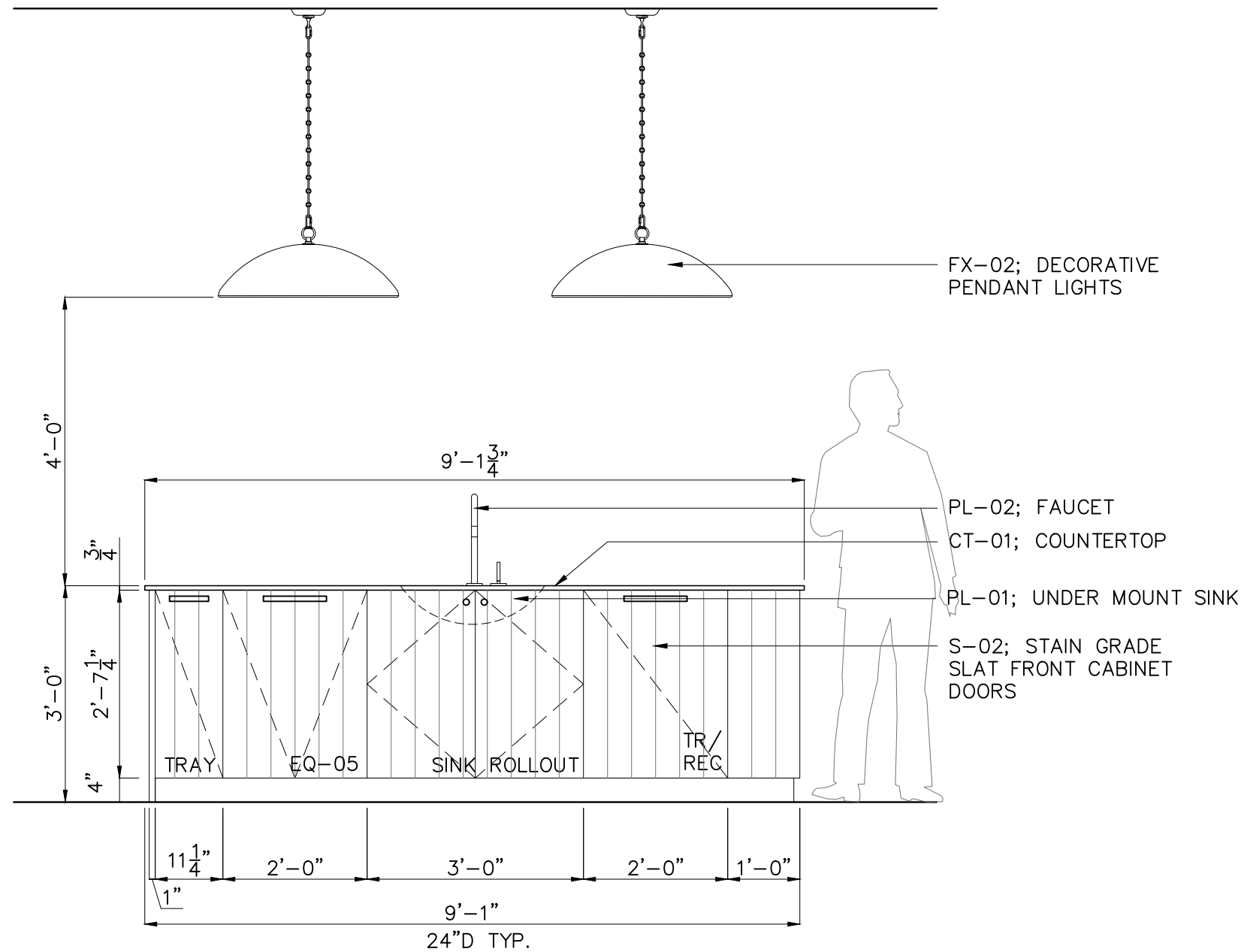
DRAWING NUMBER:

ID4.03



ETCH DESIGN GROUP

CKN CAPITAL GROUP
1602 TAYLOR GAINES STREET | AUSTIN, TX 78741



PRELIMINARY
NOT FOR CONSTRUCTION

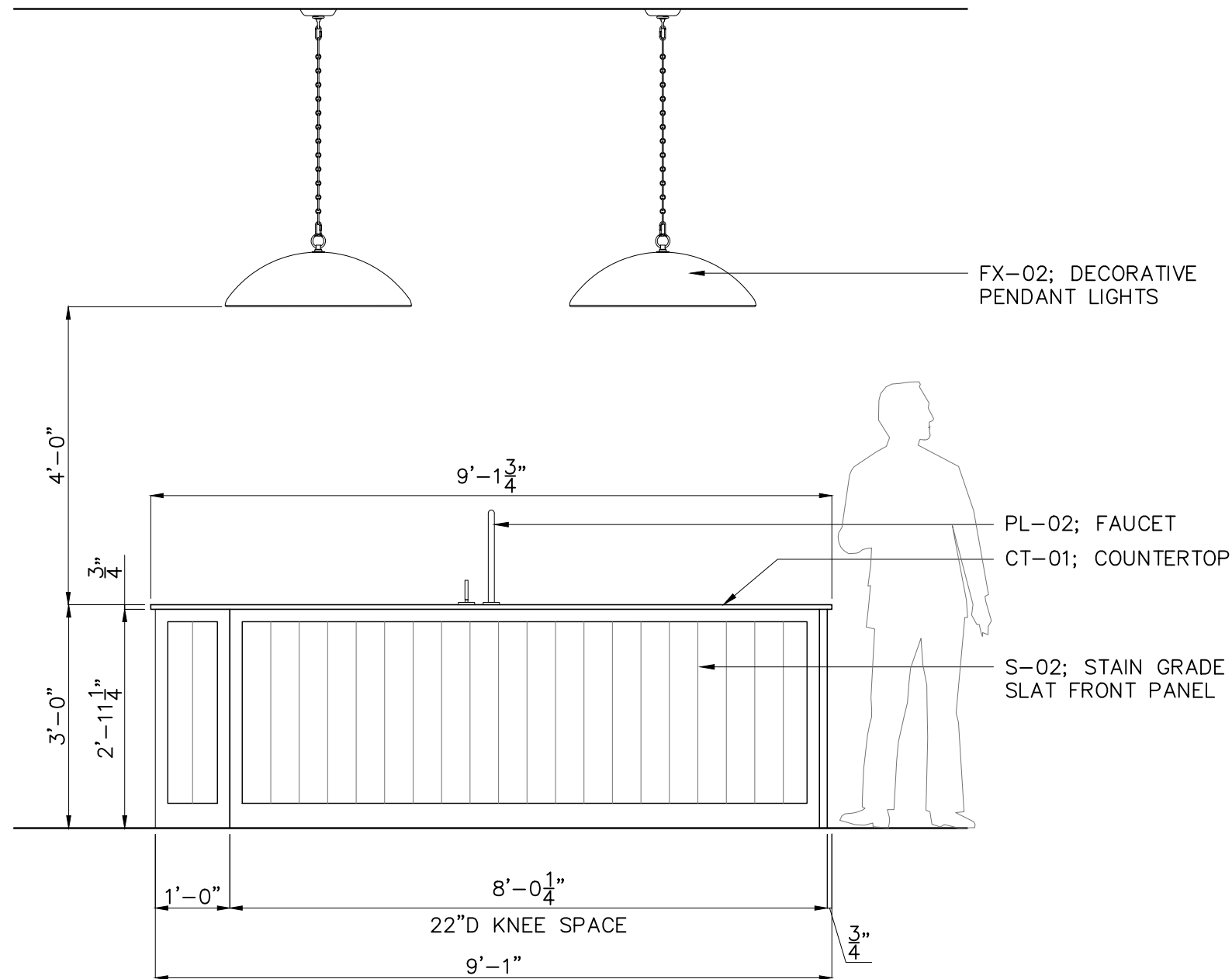
DATE: **04.13.2023**
DRAWING: **INT.ELEV.**
ISSUE: **DESIGN DEVELOPMENT**
DRAWING NUMBER:

ID4.04



ETCH DESIGN GROUP

CKN CAPITAL GROUP
1602 TAYLOR GAINES STREET | AUSTIN, TX 78741



PRELIMINARY
NOT FOR CONSTRUCTION

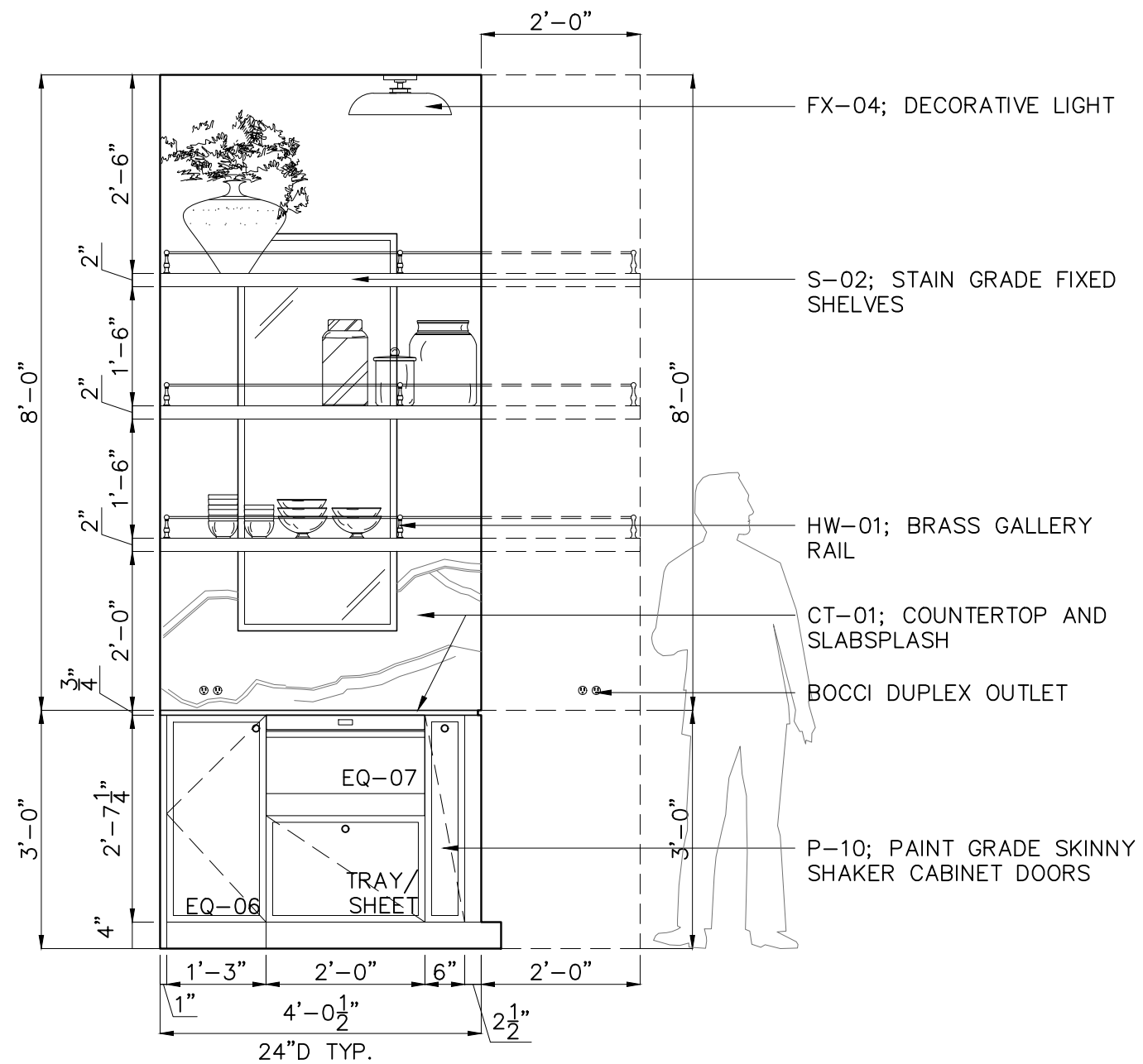
DATE: **04.13.2023**
DRAWING: **INT.ELEV.**
ISSUE: **DESIGN DEVELOPMENT**
DRAWING NUMBER:

ID4.05



ETCH DESIGN GROUP

CKN CAPITAL GROUP
1602 TAYLOR GAINES STREET | AUSTIN, TX 78741



PRELIMINARY
NOT FOR CONSTRUCTION

DATE: **04.13.2023**
DRAWING: **INT.ELEV.**
ISSUE: **DESIGN DEVELOPMENT**
DRAWING NUMBER:

ID4.06



ETCH DESIGN GROUP

1602 TAYLOR GAINES STREET | AUSTIN, TX 78741

CKN CAPITAL GROUP

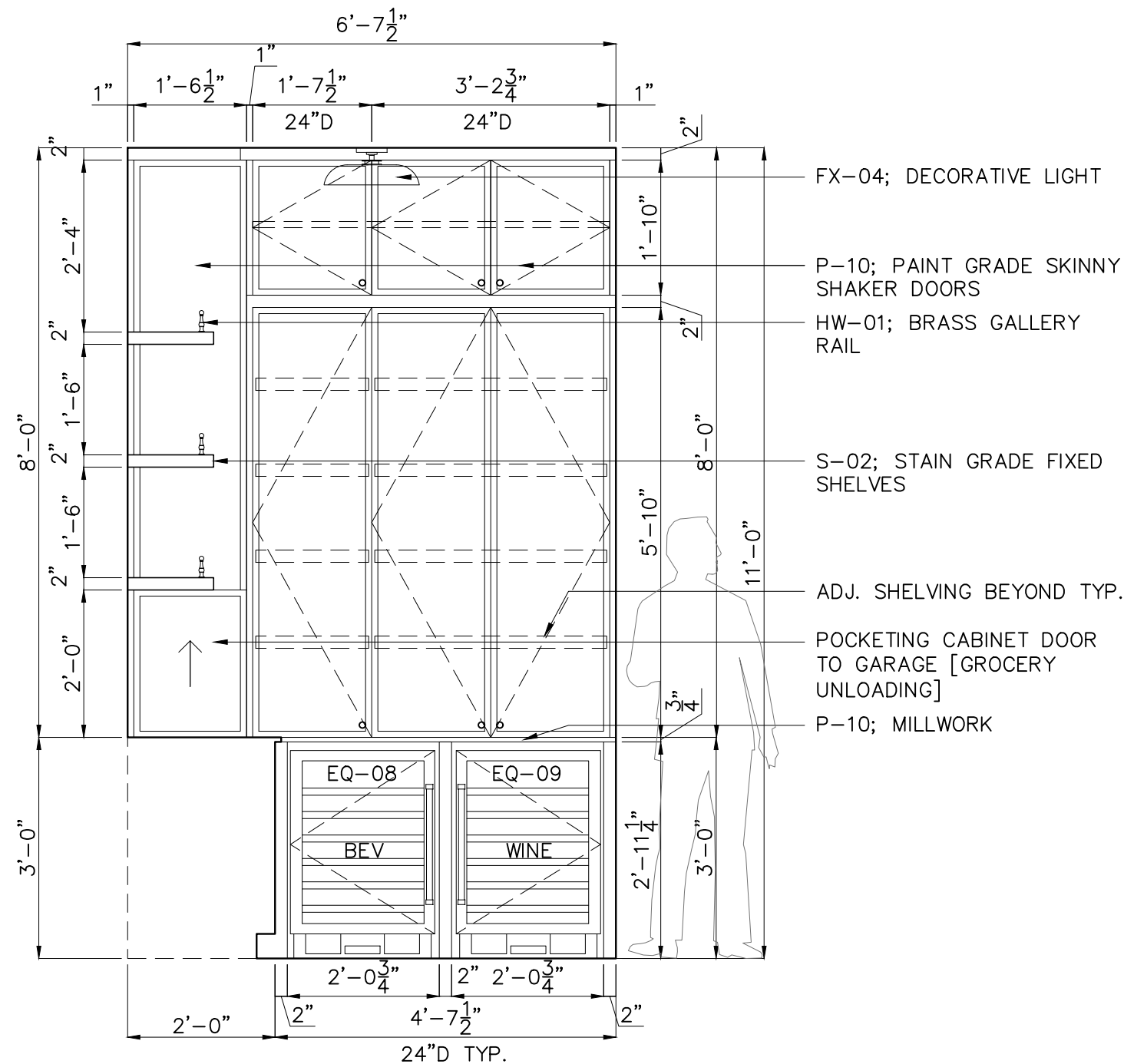
DATE: **04.13.2023**

DRAWING: **INT.ELEV.**

ISSUE: **DESIGN DEVELOPMENT**

DRAWING NUMBER:

ID4.07

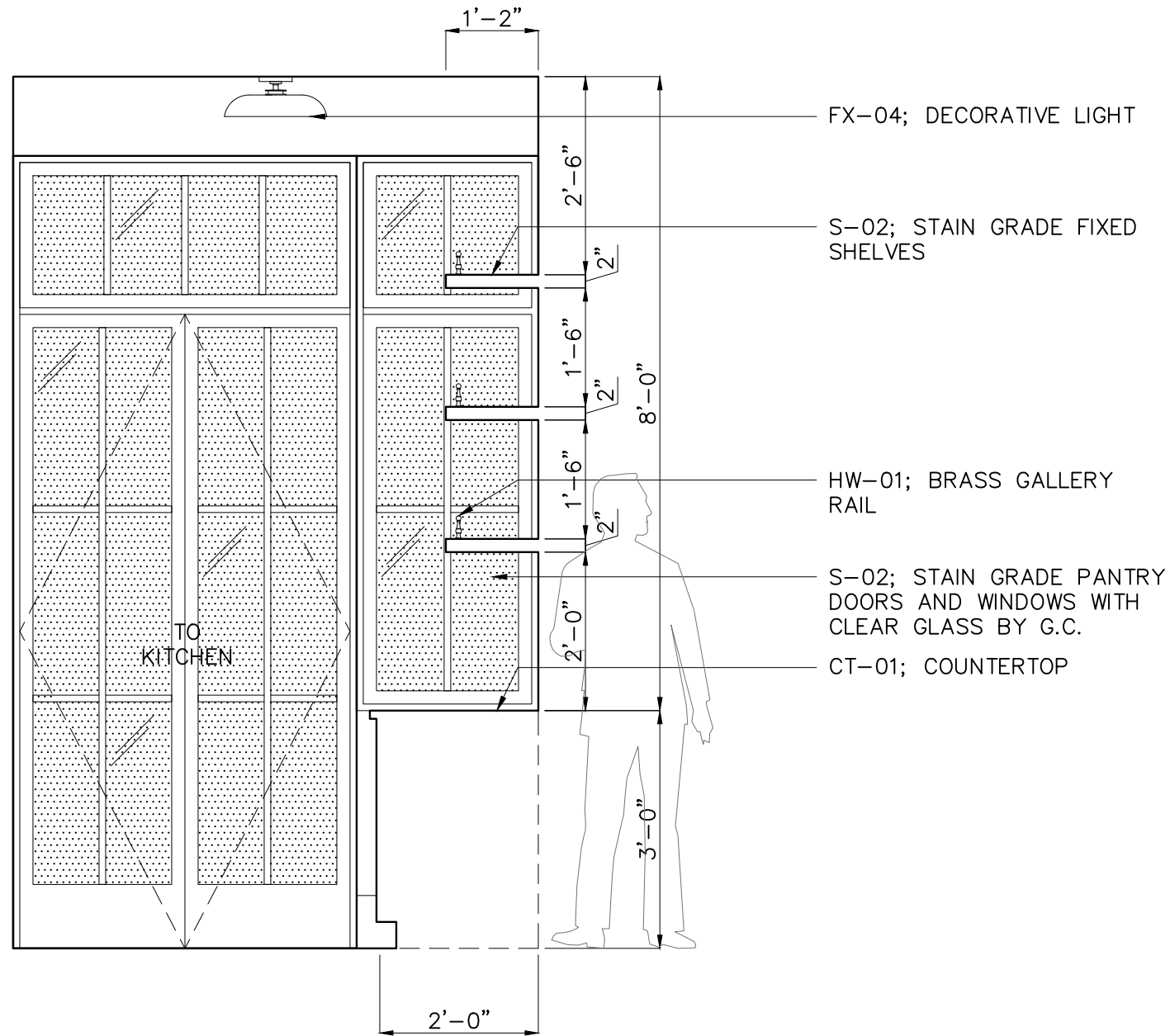


PRELIMINARY
NOT FOR CONSTRUCTION



ETCH DESIGN GROUP

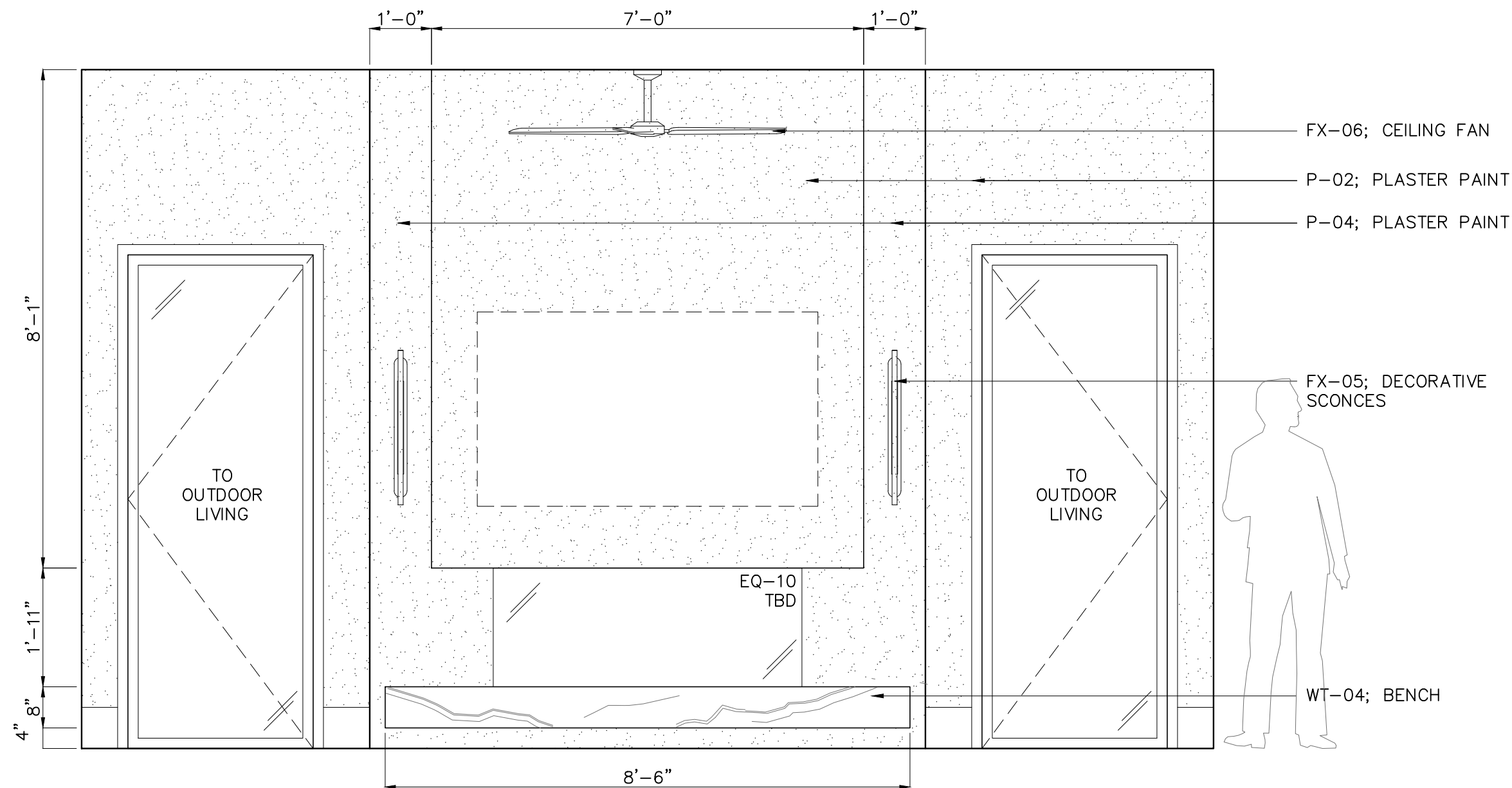
CKN CAPITAL GROUP
1602 TAYLOR GAINES STREET | AUSTIN, TX 78741



PRELIMINARY
NOT FOR CONSTRUCTION

DATE: **04.13.2023**
DRAWING: **INT.ELEV.**
ISSUE: **DESIGN DEVELOPMENT**
DRAWING NUMBER:

ID4.08



PRELIMINARY
 NOT FOR CONSTRUCTION

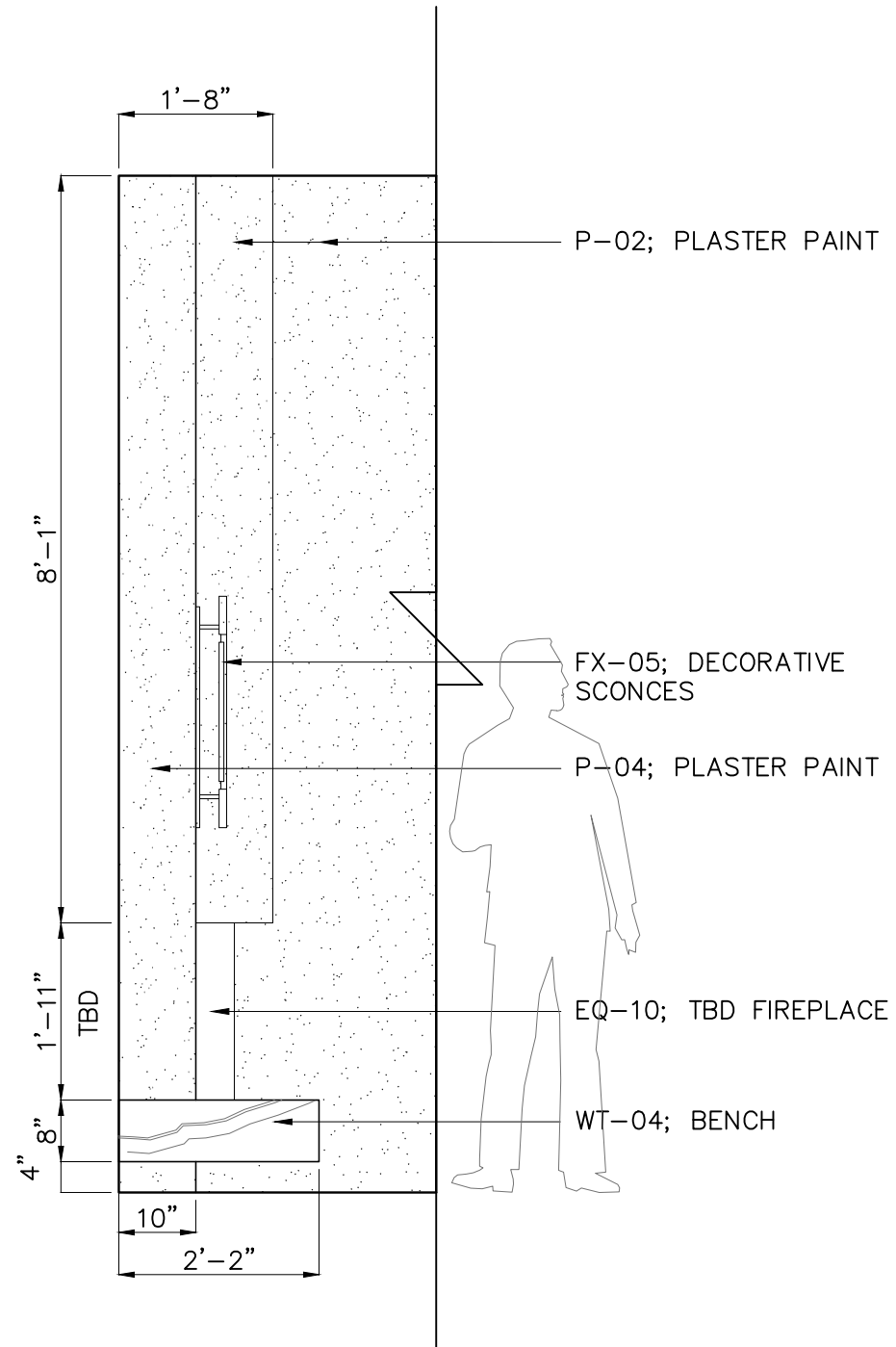
DATE: **04.13.2023**
 DRAWING: **INT.ELEV.**
 ISSUE: **DESIGN DEVELOPMENT**
 DRAWING NUMBER:

ID4.09



ETCH DESIGN GROUP

CKN CAPITAL GROUP
1602 TAYLOR GAINES STREET | AUSTIN, TX 78741



PRELIMINARY
NOT FOR CONSTRUCTION

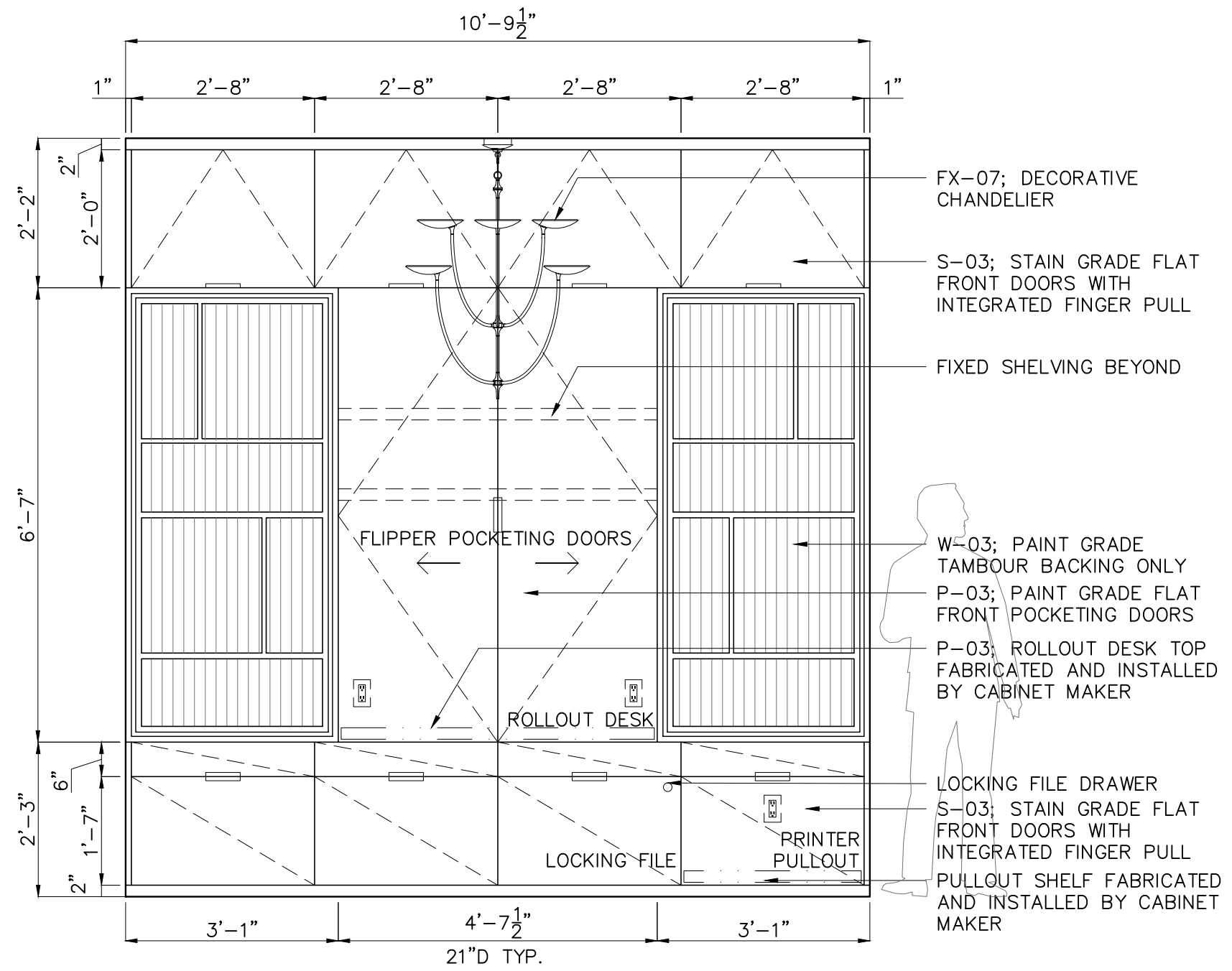
DATE:
04.13.2023
DRAWING:
INT.ELEV.
ISSUE:
**DESIGN
DEVELOPMENT**
DRAWING NUMBER:

ID4.10



ETCH DESIGN GROUP

CKN CAPITAL GROUP
1602 TAYLOR GAINES STREET | AUSTIN, TX 78741



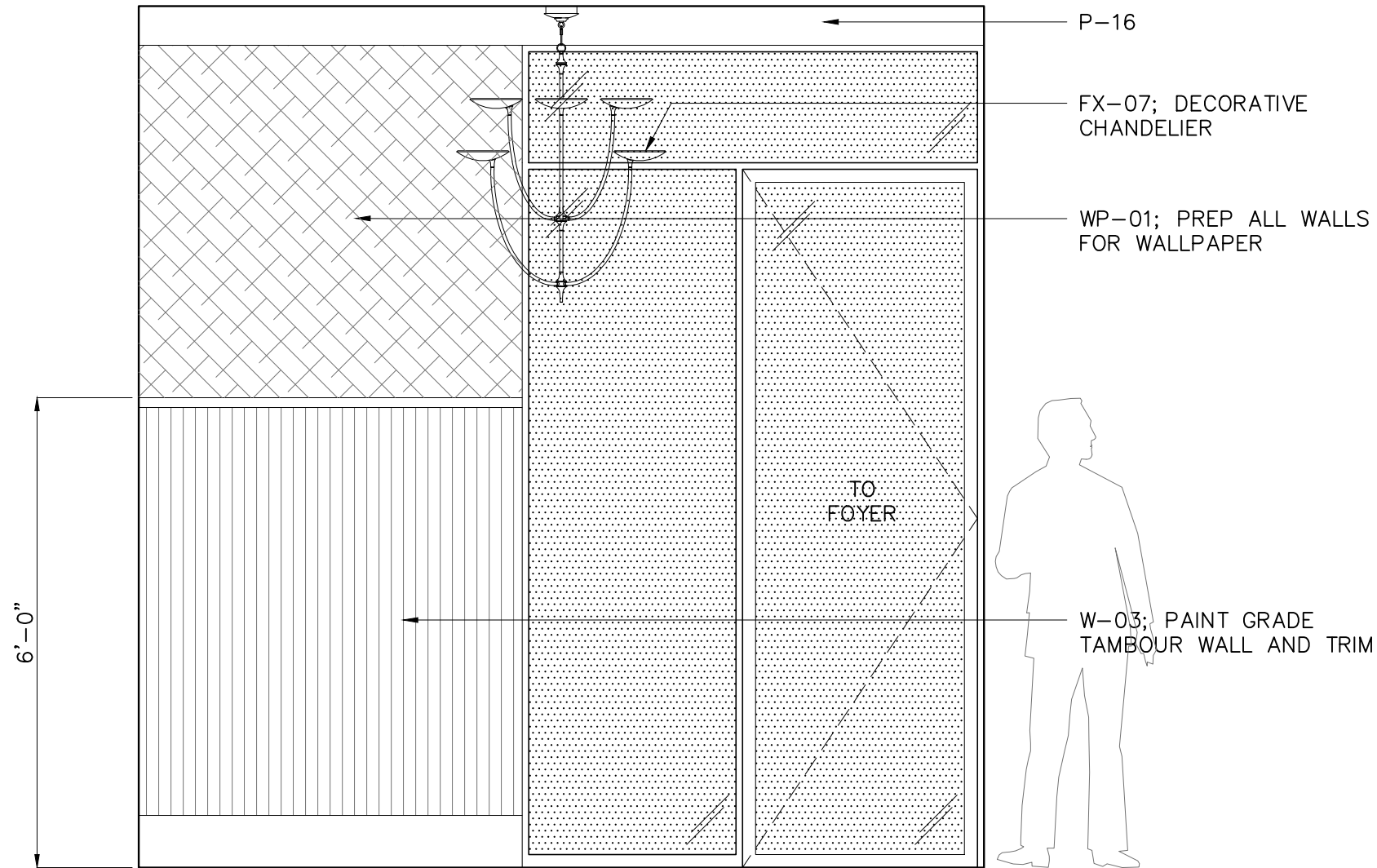
PRELIMINARY
NOT FOR CONSTRUCTION

DATE: **04.13.2023**
DRAWING: **INT.ELEV.**
ISSUE: **DESIGN DEVELOPMENT**
DRAWING NUMBER: **ID4.11**



ETCH DESIGN GROUP

CKN CAPITAL GROUP
1602 TAYLOR GAINES STREET | AUSTIN, TX 78741



PRELIMINARY
NOT FOR CONSTRUCTION

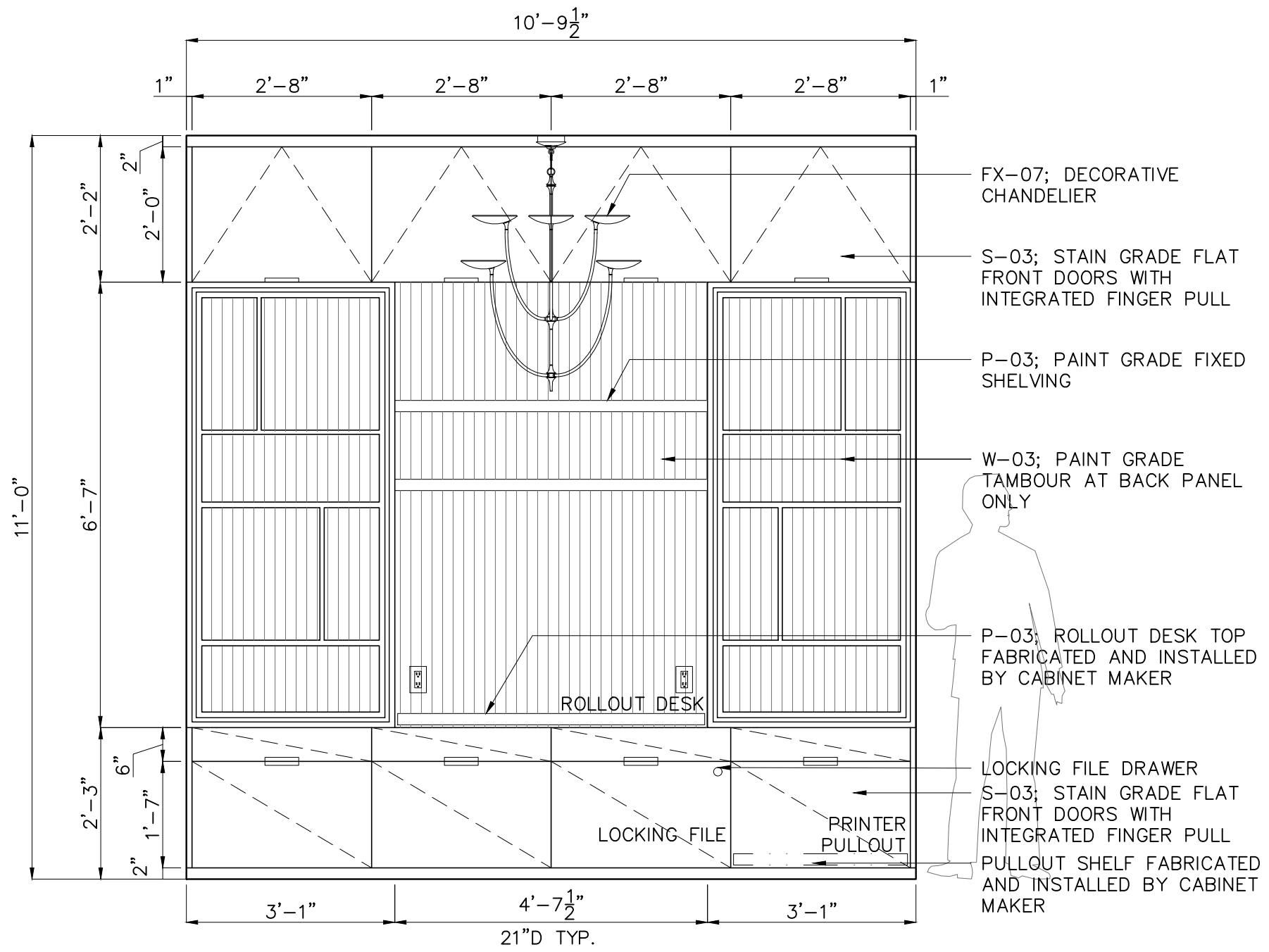
DATE: **04.13.2023**
DRAWING: **INT.ELEV.**
ISSUE: **DESIGN DEVELOPMENT**
DRAWING NUMBER:

ID4.12



ETCH DESIGN GROUP

CKN CAPITAL GROUP
1602 TAYLOR GAINES STREET | AUSTIN, TX 78741



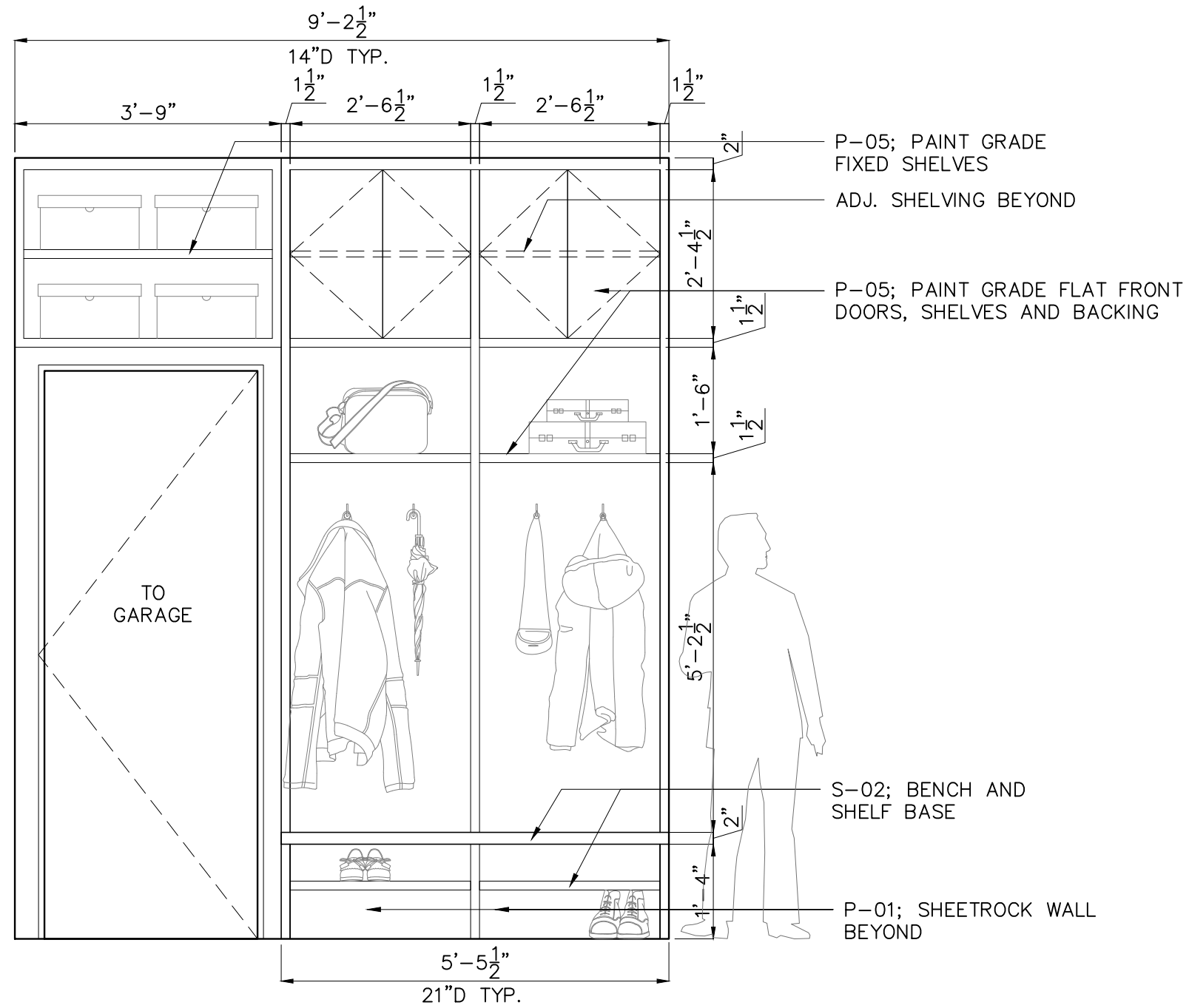
PRELIMINARY
NOT FOR CONSTRUCTION

DATE: **04.13.2023**
DRAWING: **INT.ELEV.**
ISSUE: **DESIGN DEVELOPMENT**
DRAWING NUMBER: **ID4.13**



ETCH DESIGN GROUP

CKN CAPITAL GROUP
1602 TAYLOR GAINES STREET | AUSTIN, TX 78741



PRELIMINARY
NOT FOR CONSTRUCTION

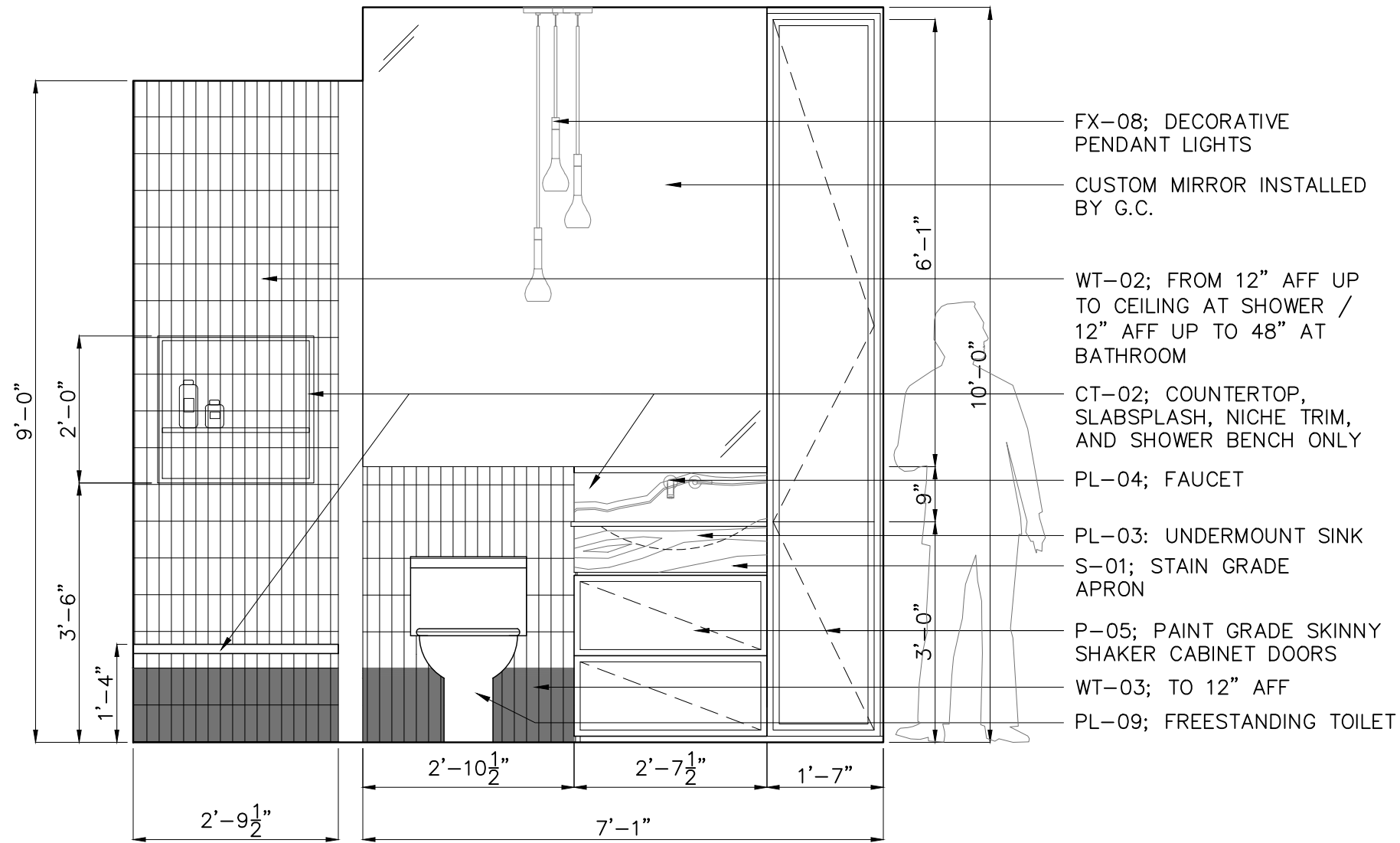
DATE: **04.13.2023**
DRAWING: **INT.ELEV.**
ISSUE: **DESIGN DEVELOPMENT**
DRAWING NUMBER:

ID4.14



ETCH DESIGN GROUP

CKN CAPITAL GROUP
1602 TAYLOR GAINES STREET | AUSTIN, TX 78741



PRELIMINARY
NOT FOR CONSTRUCTION

DATE:
04.13.2023

DRAWING:
INT.ELEV.

ISSUE:
**DESIGN
DEVELOPMENT**

DRAWING NUMBER:

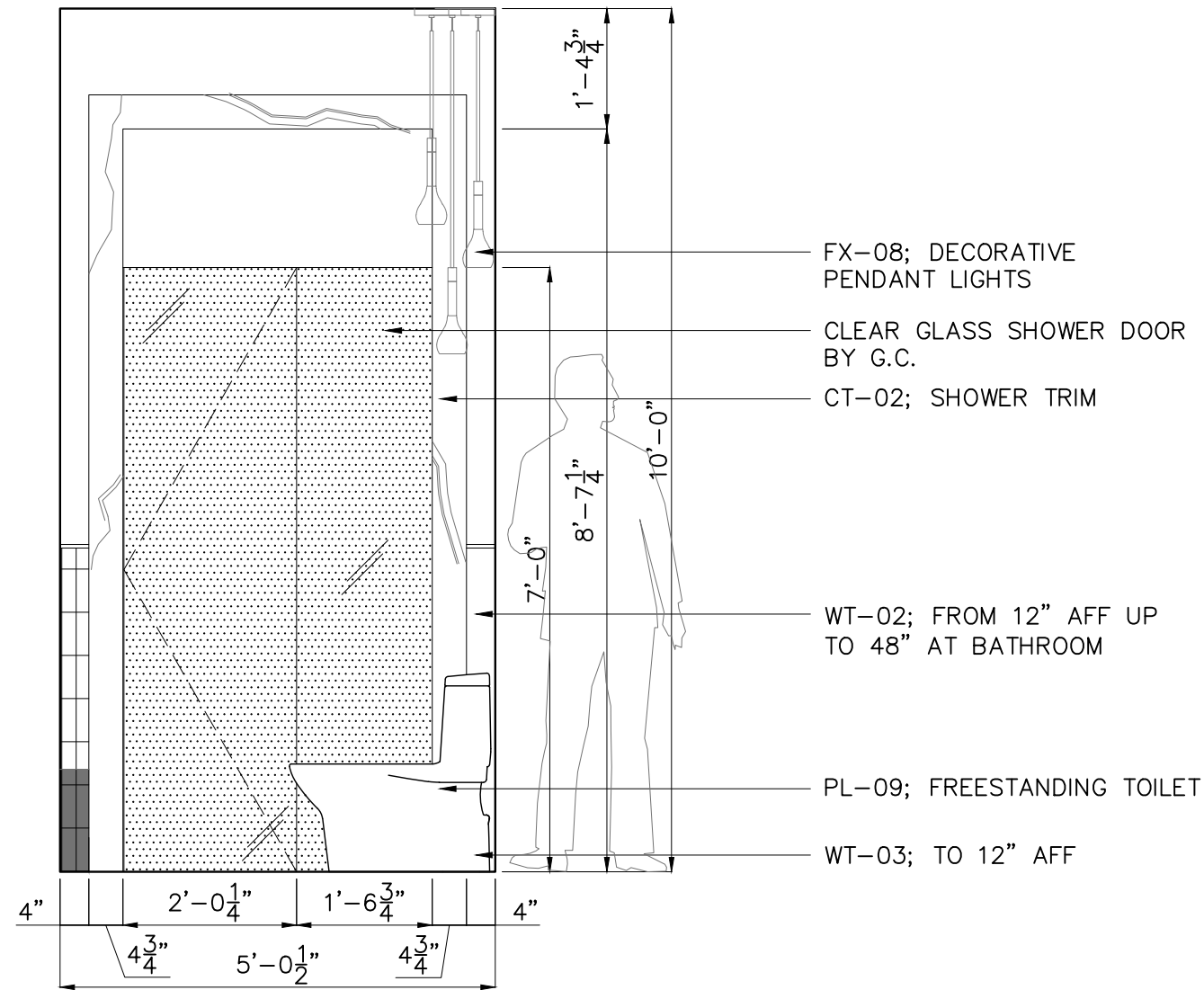
ID4.15



ETCH DESIGN GROUP

CKN CAPITAL GROUP

1602 TAYLOR GAINES STREET | AUSTIN, TX 78741



PRELIMINARY
NOT FOR CONSTRUCTION

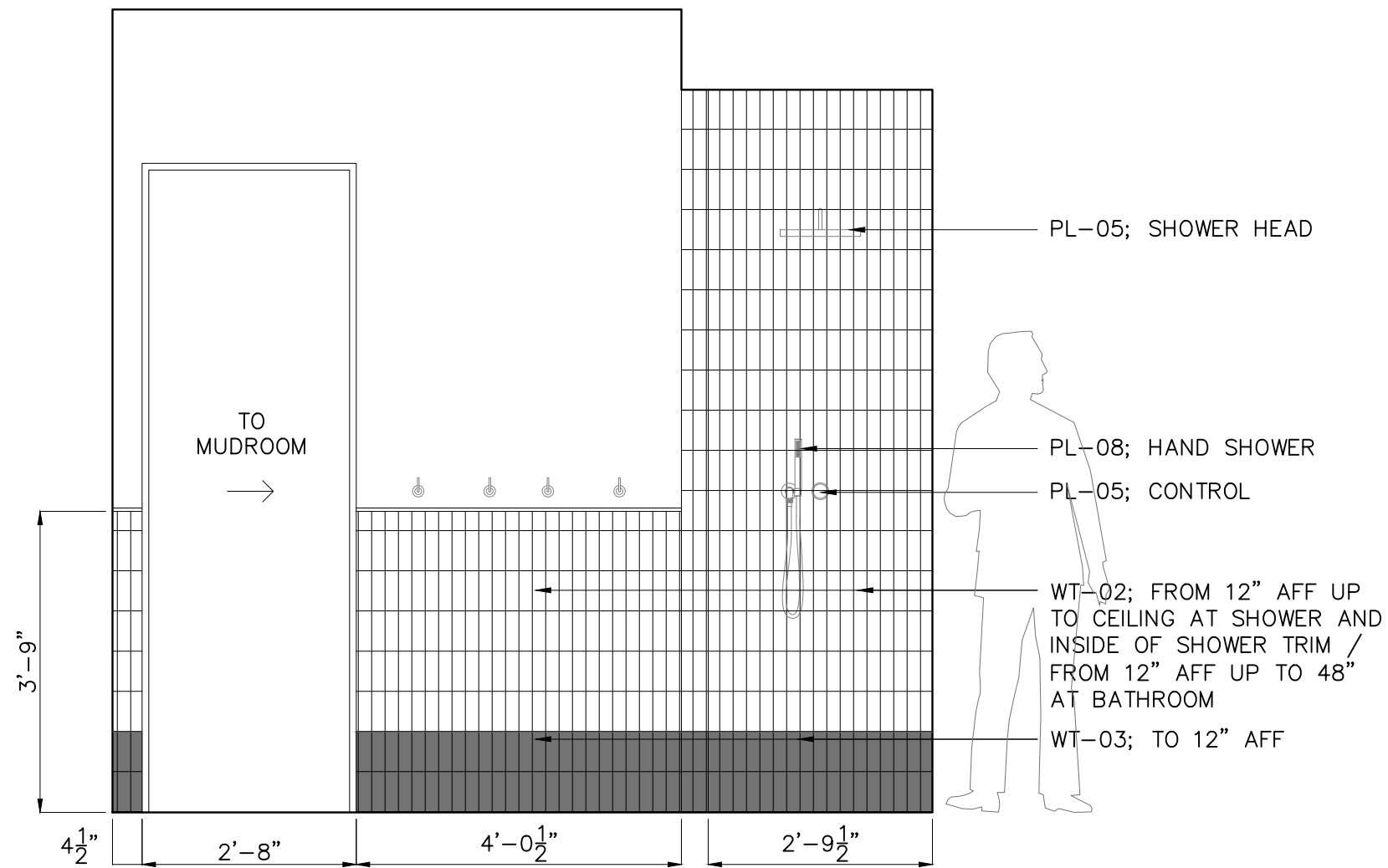
DATE: **04.13.2023**
DRAWING: **INT.ELEV.**
ISSUE: **DESIGN DEVELOPMENT**
DRAWING NUMBER:

ID4.16



ETCH DESIGN GROUP

CKN CAPITAL GROUP
1602 TAYLOR GAINES STREET | AUSTIN, TX 78741



PRELIMINARY
NOT FOR CONSTRUCTION

DATE:
04.13.2023
DRAWING:
INT.ELEV.
ISSUE:
**DESIGN
DEVELOPMENT**
DRAWING NUMBER:

ID4.17

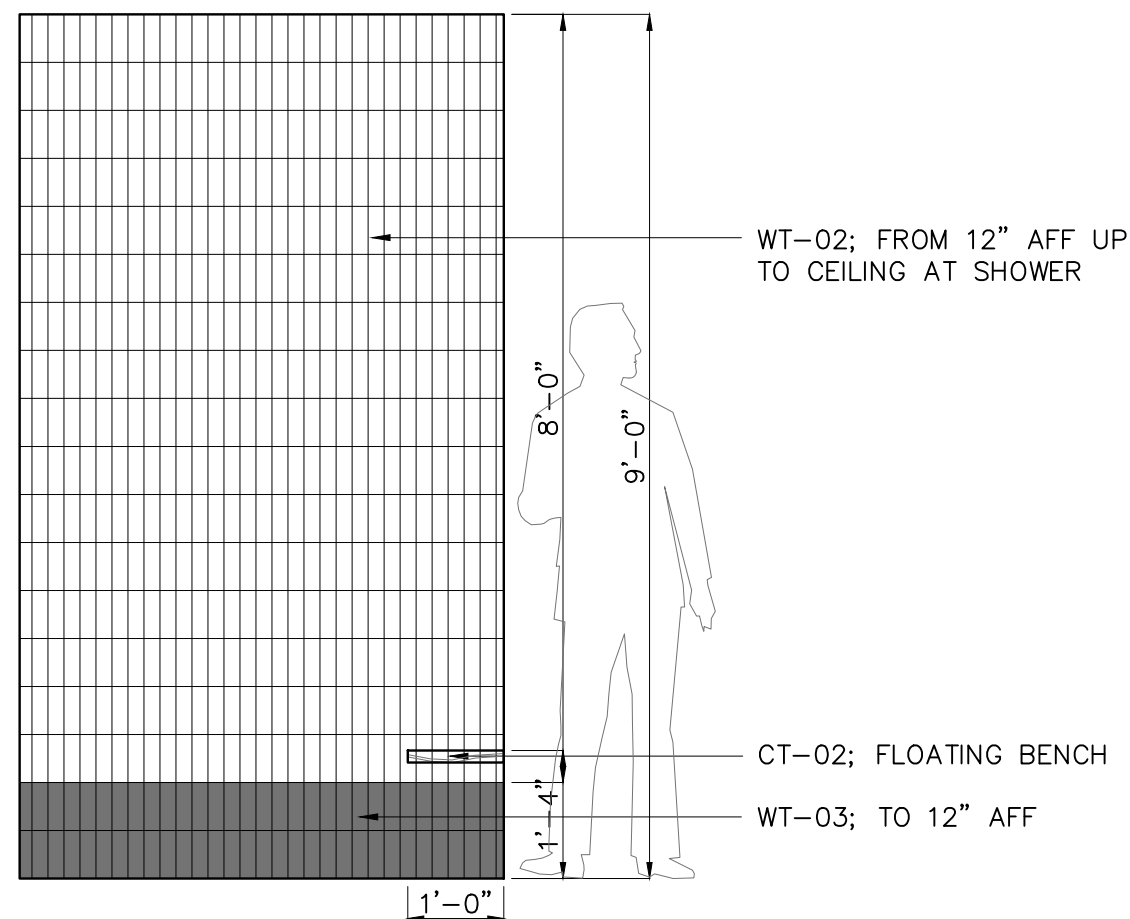
CKN CAPITAL GROUP

DATE: **04.13.2023**
 DRAWING: **INT.ELEV.**
 ISSUE: **DESIGN DEVELOPMENT**
 DRAWING NUMBER:

ID4.18

PRELIMINARY
 NOT FOR CONSTRUCTION

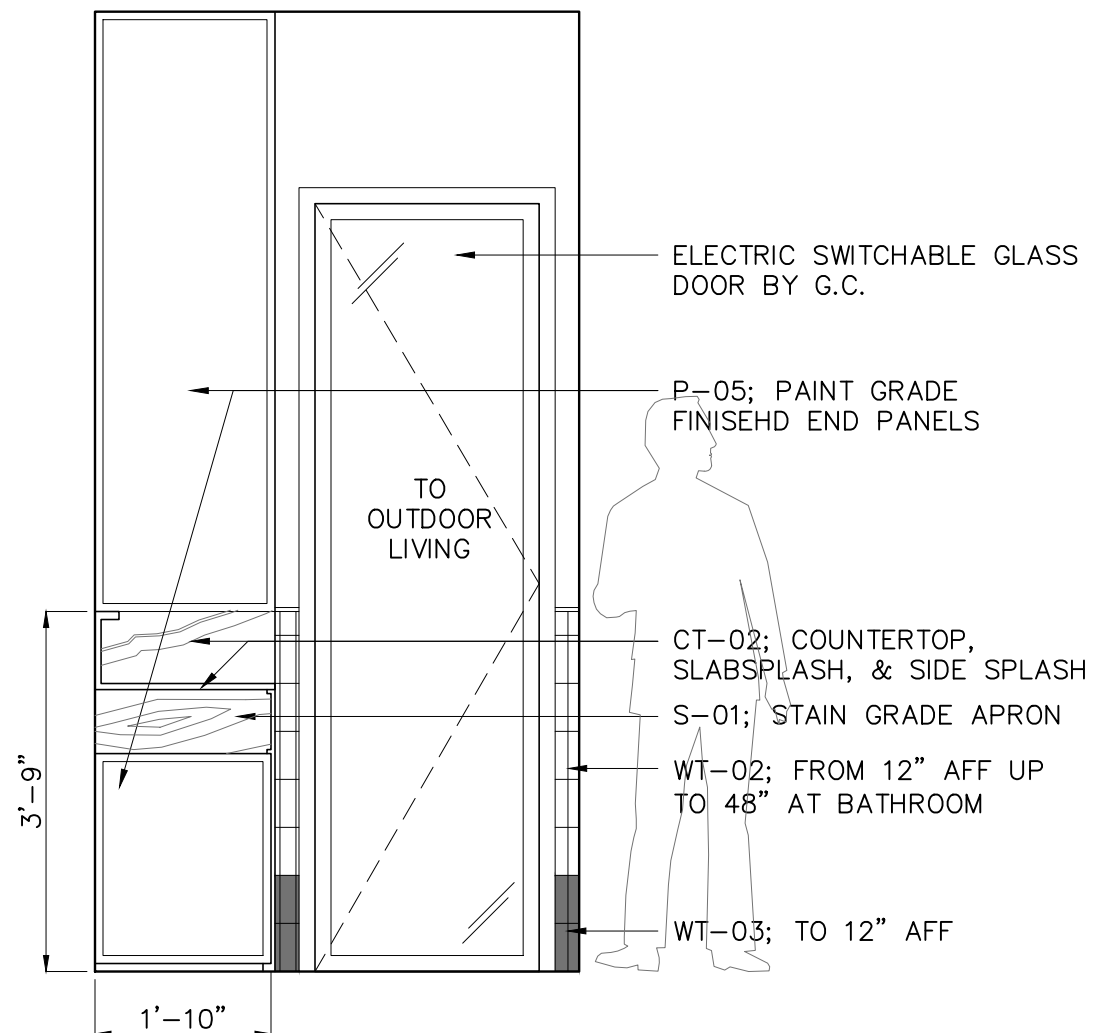
SCALE: 1/2" = 1'-0"



WT-02; FROM 12" AFF UP TO CEILING AT SHOWER

CT-02; FLOATING BENCH

WT-03; TO 12" AFF



ELECTRIC SWITCHABLE GLASS DOOR BY G.C.

P-05; PAINT GRADE FINISEHD END PANELS

TO OUTDOOR LIVING

CT-02; COUNTERTOP, SLABSPLASH, & SIDE SPLASH

S-01; STAIN GRADE APRON

WT-02; FROM 12" AFF UP TO 48" AT BATHROOM

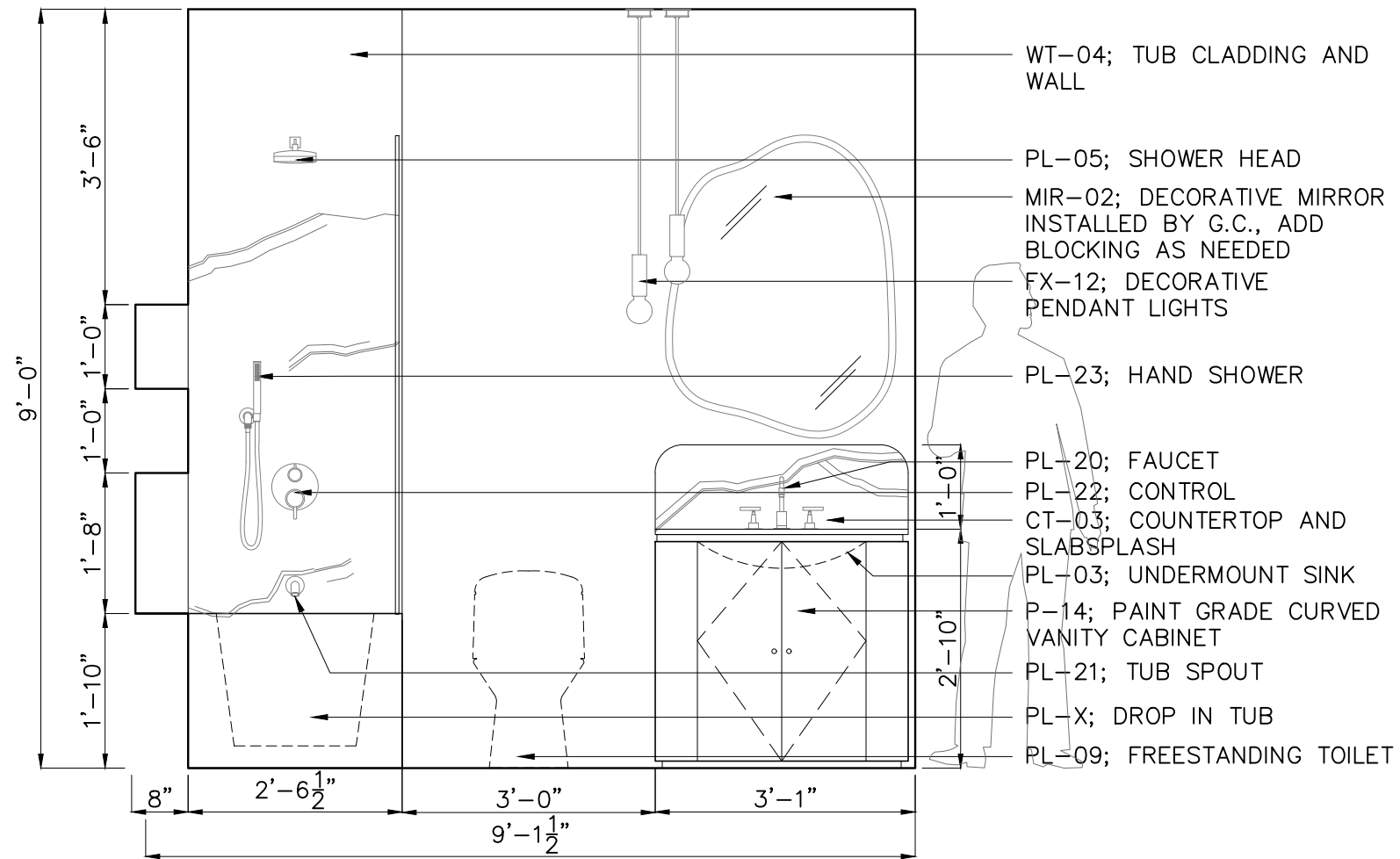
WT-03; TO 12" AFF



ETCH DESIGN GROUP

CKN CAPITAL GROUP

1602 TAYLOR GAINES STREET | AUSTIN, TX 78741



PRELIMINARY
NOT FOR CONSTRUCTION

DATE: **04.13.2023**
DRAWING: **INT.ELEV.**
ISSUE: **DESIGN DEVELOPMENT**
DRAWING NUMBER:

ID4.19



ETCH DESIGN GROUP

1602 TAYLOR GAINES STREET | AUSTIN, TX 78741

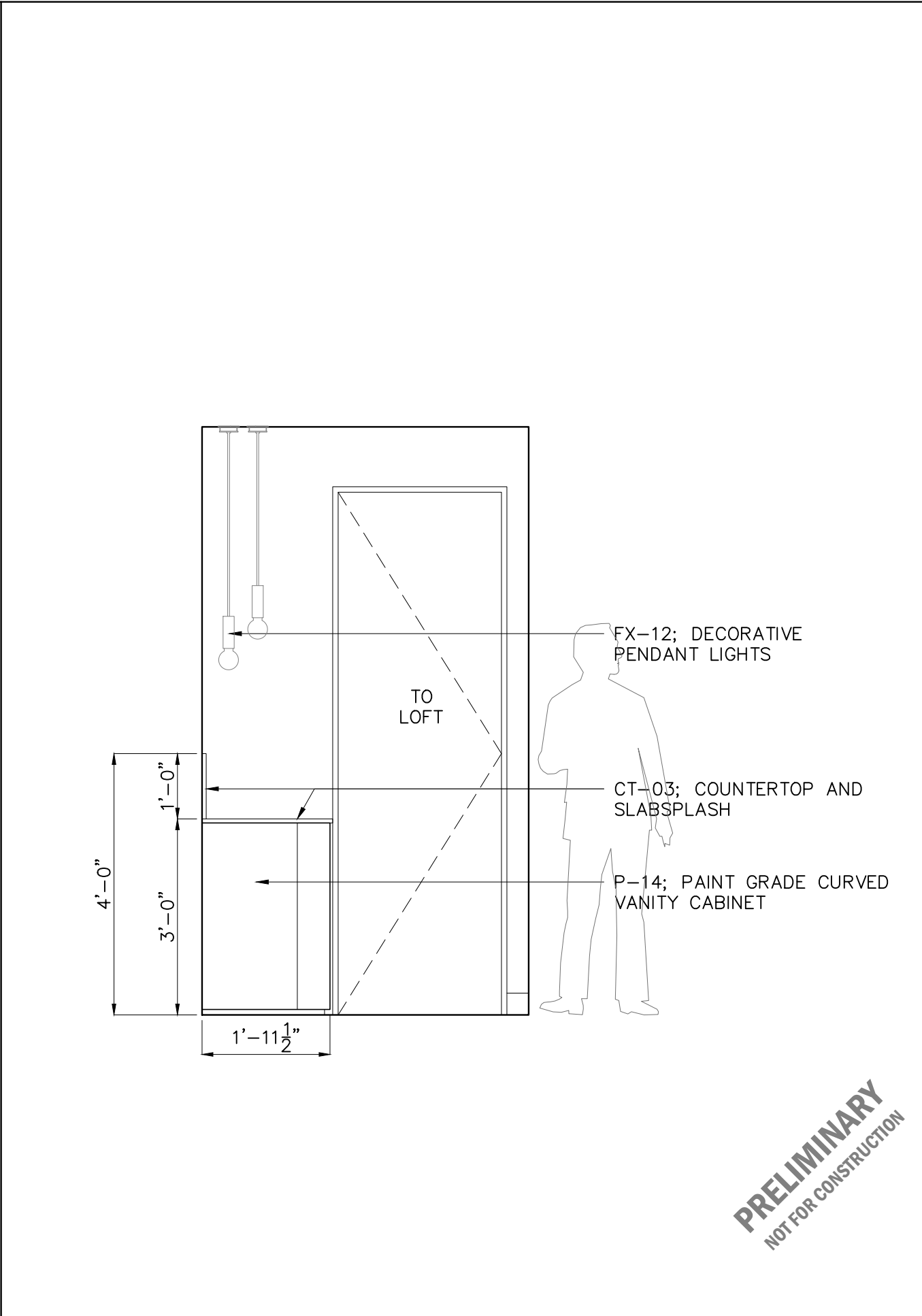
CKN CAPITAL GROUP

DATE: 04.13.2023
DRAWING: INT.ELEV.
ISSUE: DESIGN DEVELOPMENT
DRAWING NUMBER:

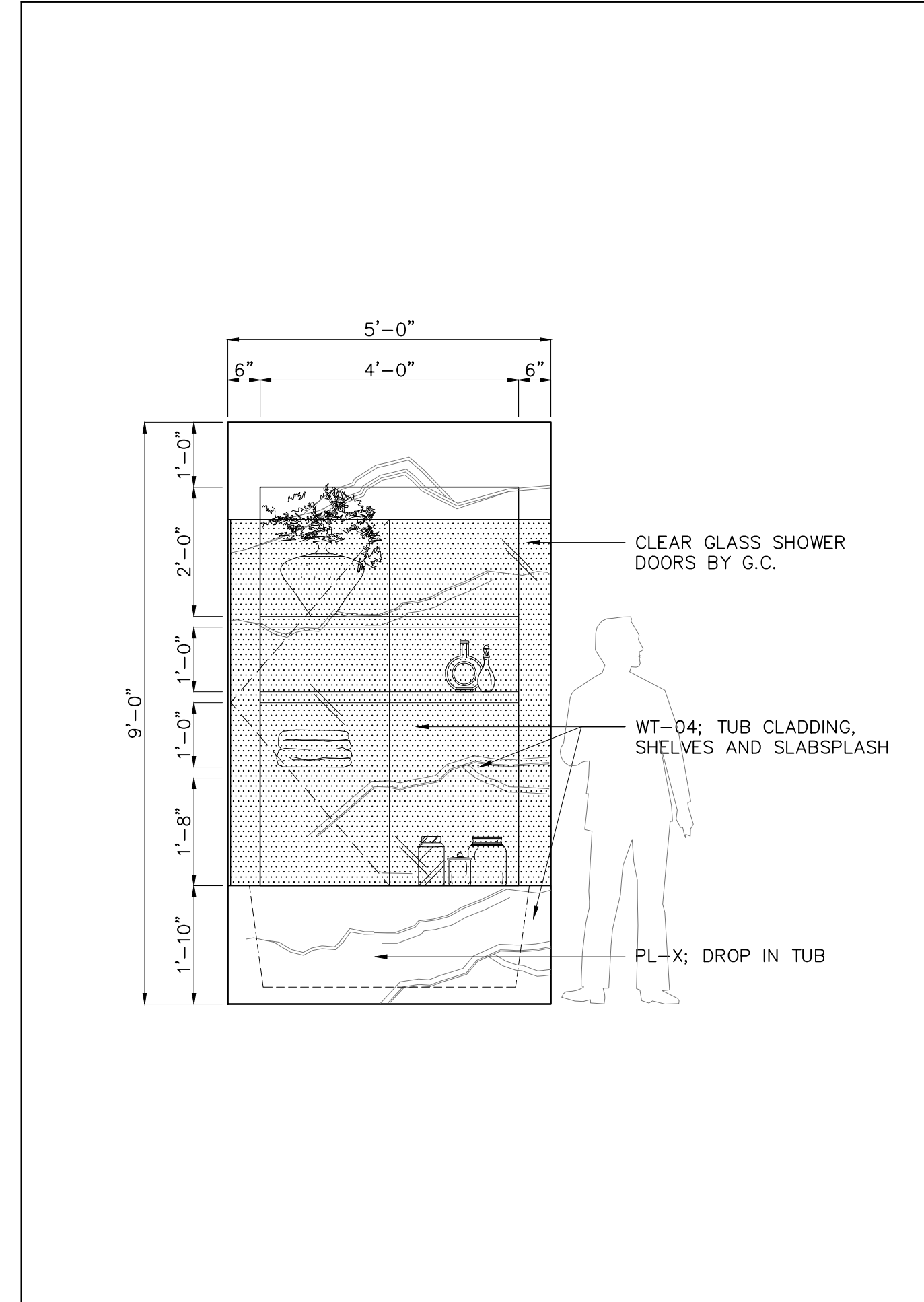
ID4.20

PRELIMINARY
NOT FOR CONSTRUCTION

SCALE: 1/2" = 1'-0"



01 BATH 3 INTERIOR ELEVATION

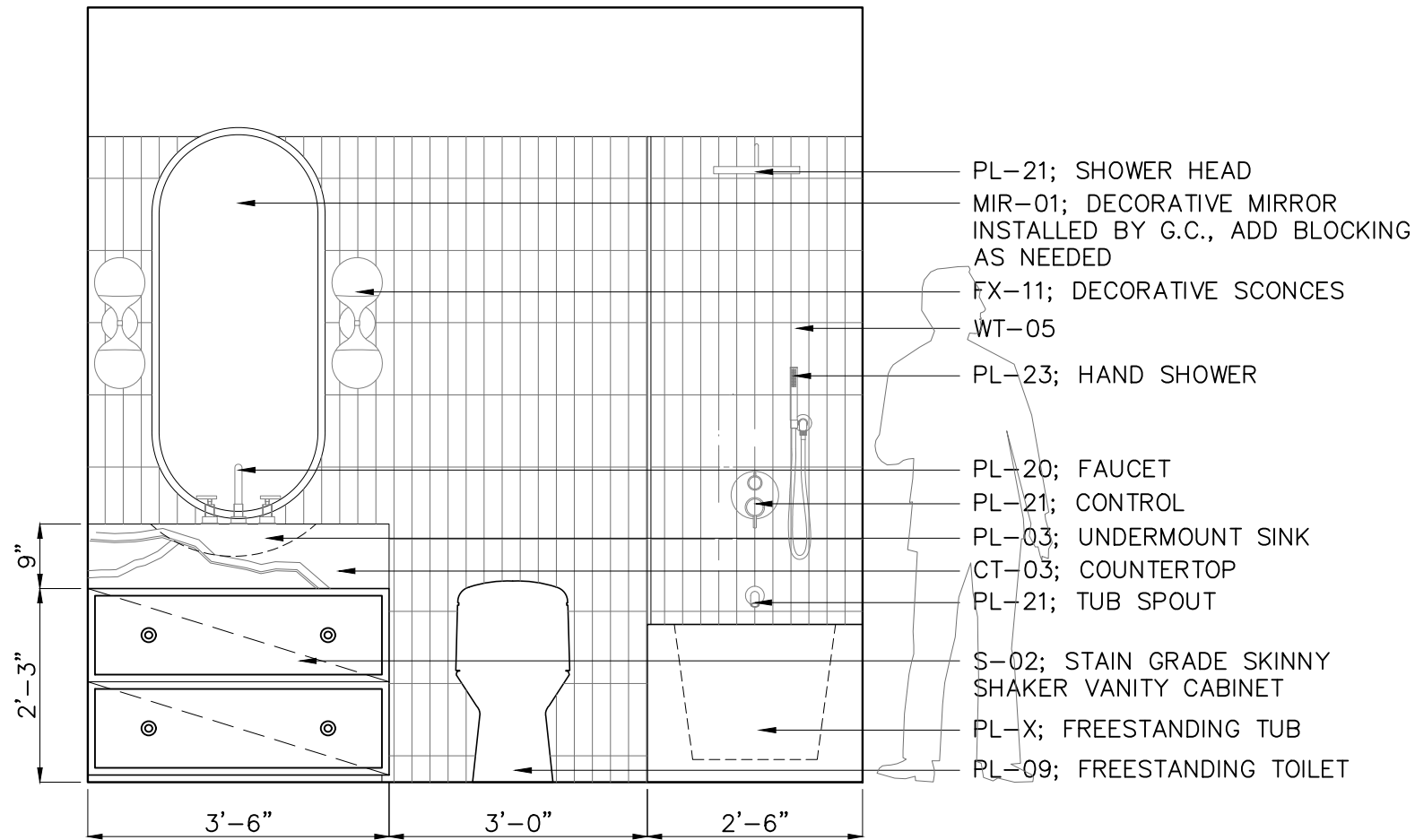


02 BATH 3 INTERIOR ELEVATION



ETCH DESIGN GROUP

CKN CAPITAL GROUP
1602 TAYLOR GAINES STREET | AUSTIN, TX 78741



PRELIMINARY
NOT FOR CONSTRUCTION

DATE:
04.13.2023
DRAWING:
INT.ELEV.
ISSUE:
**DESIGN
DEVELOPMENT**
DRAWING NUMBER:

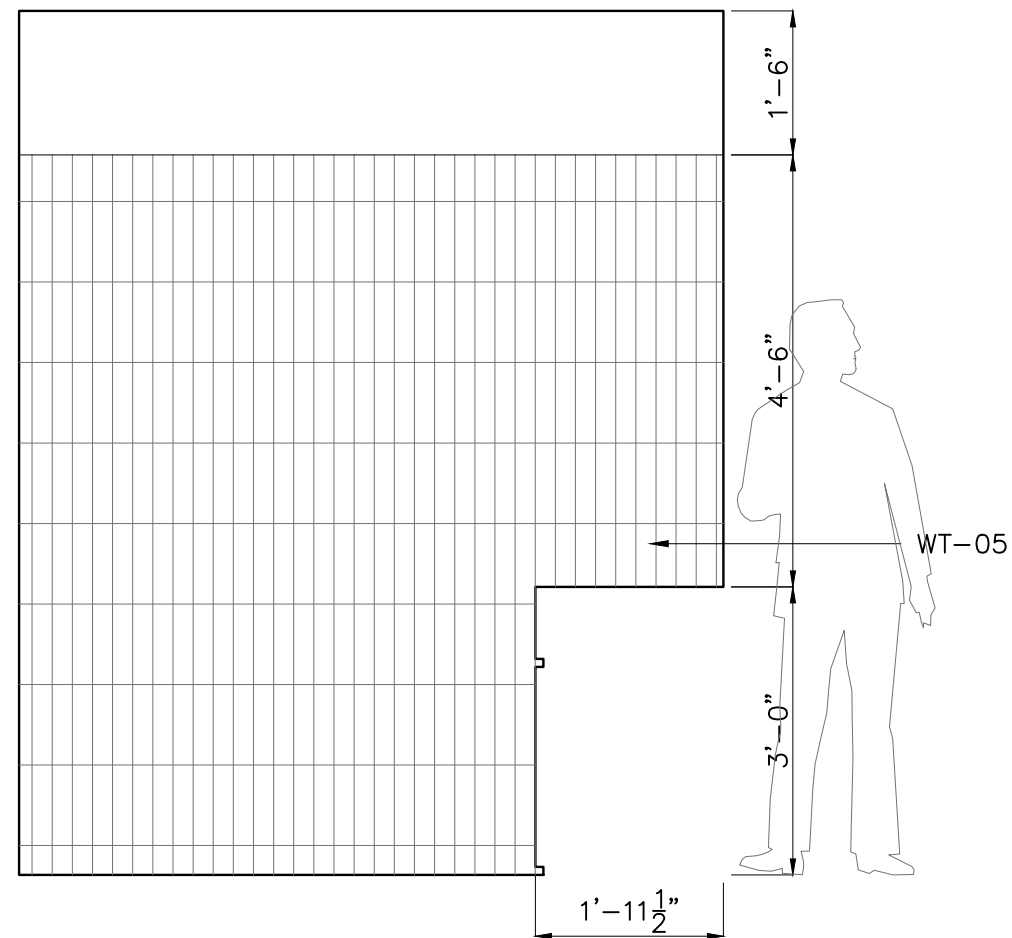
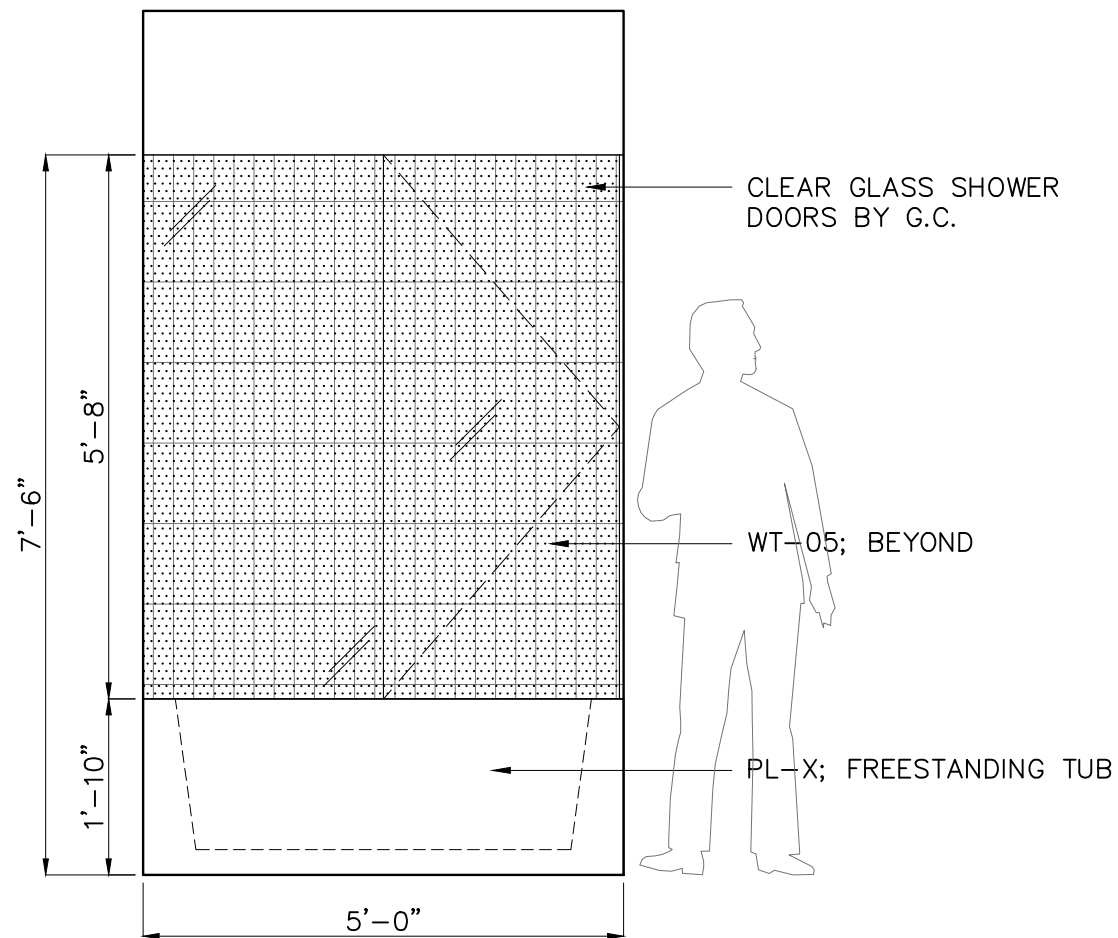
ID4.21



ETCH DESIGN GROUP

CKN CAPITAL GROUP
1602 TAYLOR GAINES STREET | AUSTIN, TX 78741

DATE: **04.13.2023**
DRAWING: **INT.ELEV.**
ISSUE: **DESIGN DEVELOPMENT**
DRAWING NUMBER: **ID4.22**

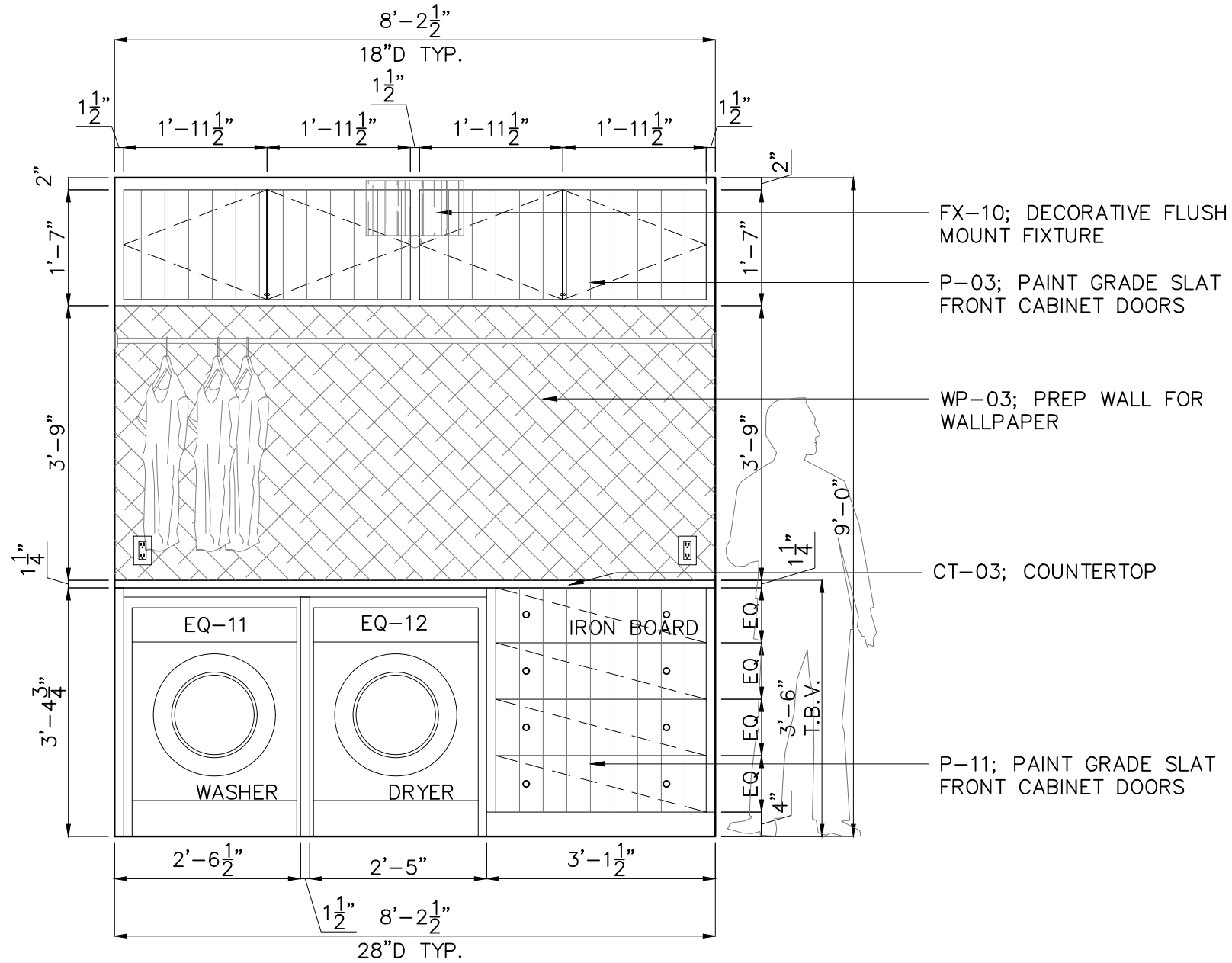


PRELIMINARY
NOT FOR CONSTRUCTION



ETCH DESIGN GROUP

CKN CAPITAL GROUP
1602 TAYLOR GAINES STREET | AUSTIN, TX 78741



PRELIMINARY
NOT FOR CONSTRUCTION

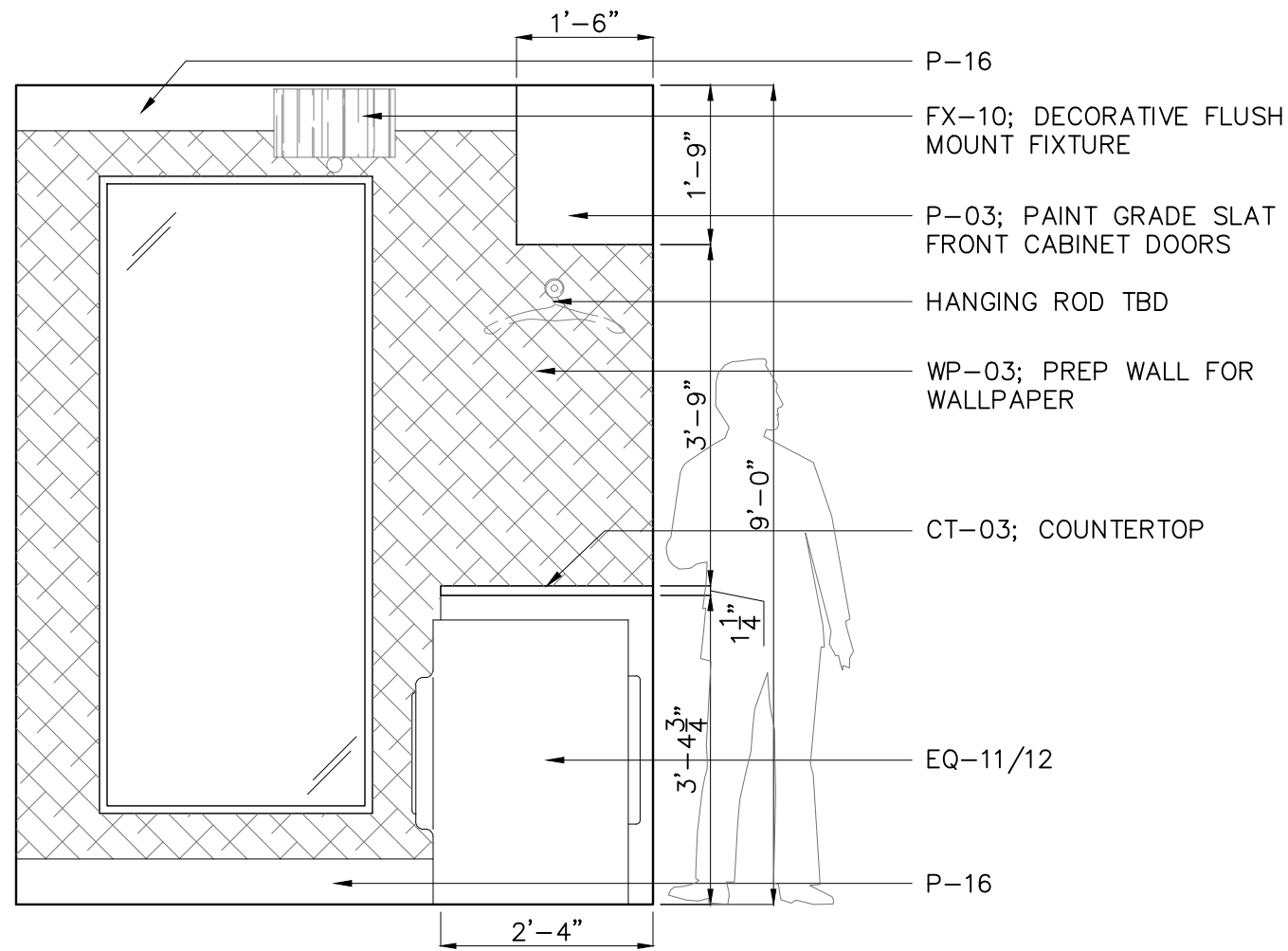
DATE: **04.13.2023**
DRAWING: **INT.ELEV.**
ISSUE: **DESIGN DEVELOPMENT**
DRAWING NUMBER:

ID4.23



ETCH DESIGN GROUP

CKN CAPITAL GROUP
1602 TAYLOR GAINES STREET | AUSTIN, TX 78741



PRELIMINARY
NOT FOR CONSTRUCTION

DATE:
04.13.2023
DRAWING:
INT.ELEV.
ISSUE:
DESIGN DEVELOPMENT
DRAWING NUMBER:

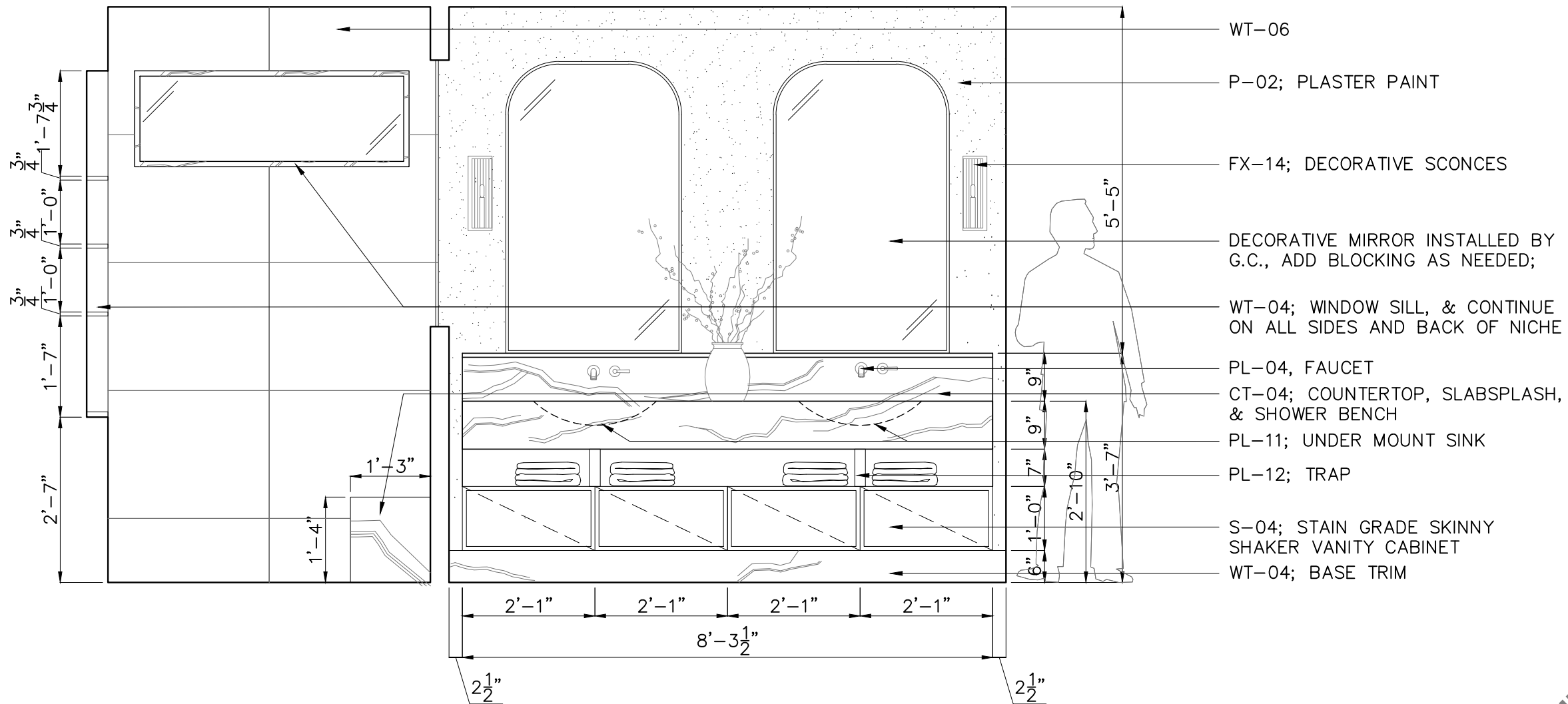
ID4.24



ETCH DESIGN GROUP

1602 TAYLOR GAINES STREET | AUSTIN, TX 78741

CKN CAPITAL GROUP



- WT-06
- P-02; PLASTER PAINT
- FX-14; DECORATIVE SCONES
- DECORATIVE MIRROR INSTALLED BY G.C., ADD BLOCKING AS NEEDED;
- WT-04; WINDOW SILL, & CONTINUE ON ALL SIDES AND BACK OF NICHE
- PL-04, FAUCET
- CT-04; COUNTERTOP, SLABSPLASH, & SHOWER BENCH
- PL-11; UNDER MOUNT SINK
- PL-12; TRAP
- S-04; STAIN GRADE SKINNY SHAKER VANITY CABINET
- WT-04; BASE TRIM

PRELIMINARY
NOT FOR CONSTRUCTION

DATE:
04.13.2023

DRAWING:
INT.ELEV.

ISSUE:
**DESIGN
DEVELOPMENT**

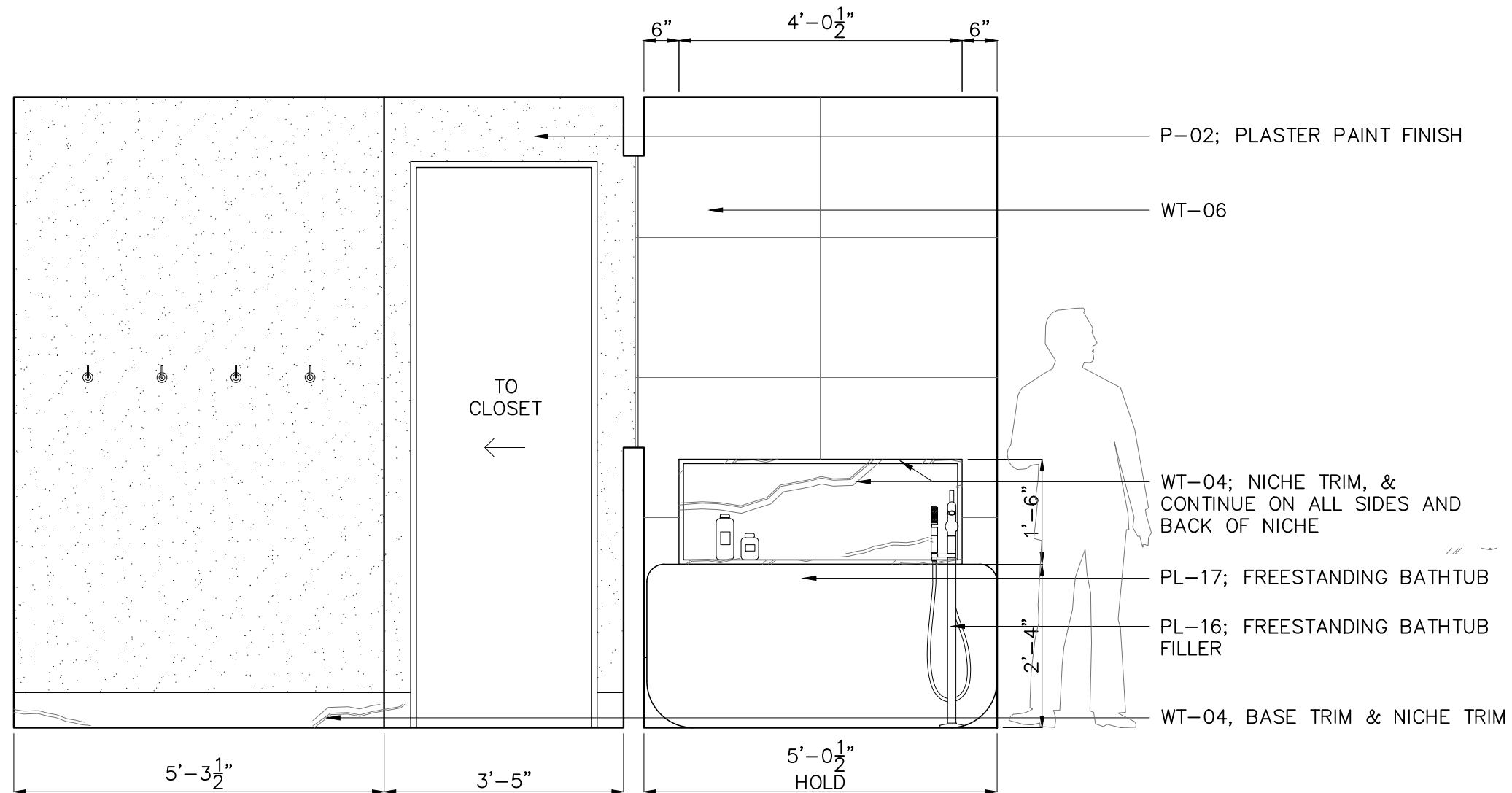
DRAWING NUMBER:

ID4.25



ETCH DESIGN GROUP

CKN CAPITAL GROUP
1602 TAYLOR GAINES STREET | AUSTIN, TX 78741



PRELIMINARY
NOT FOR CONSTRUCTION

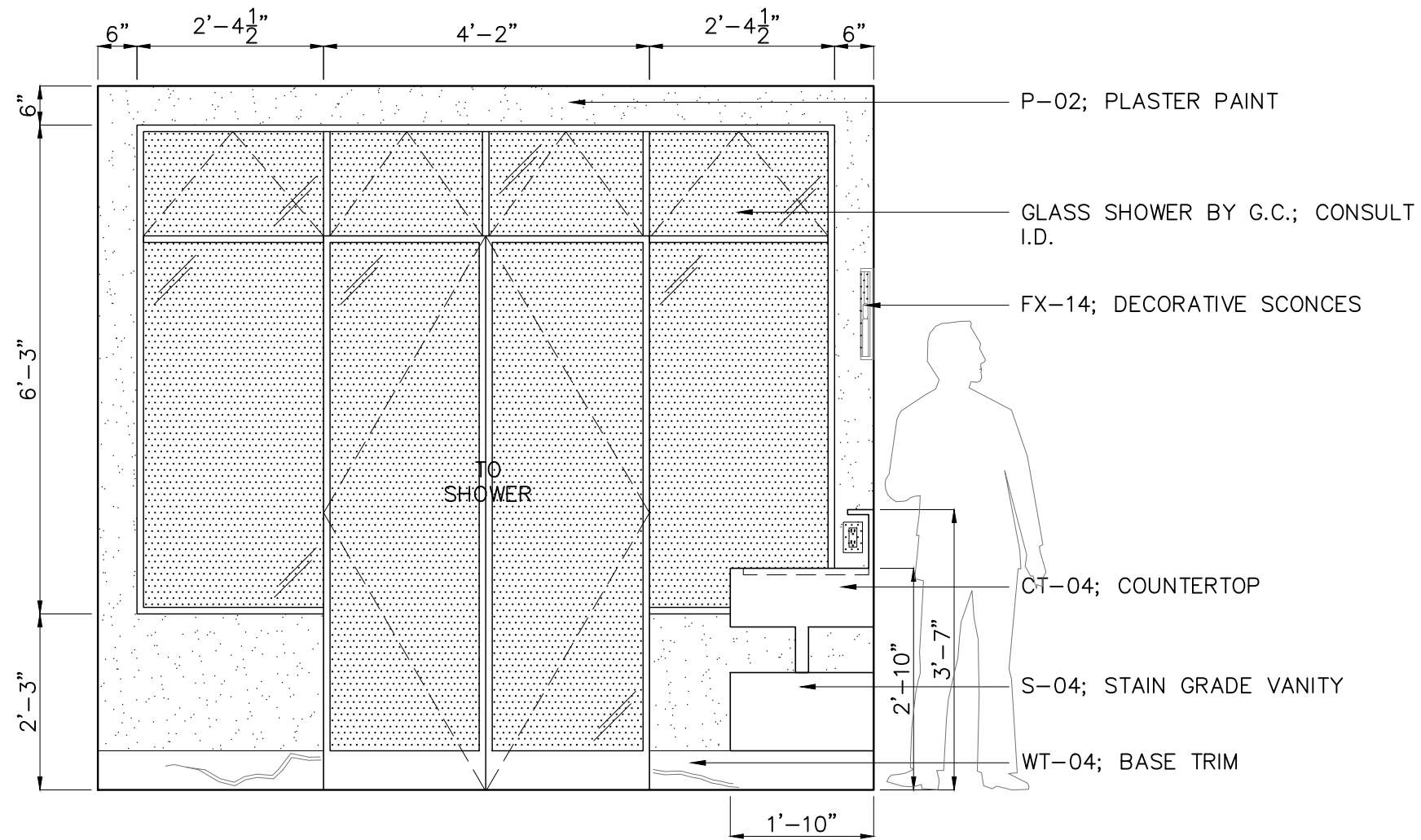
DATE: **04.13.2023**
DRAWING: **INT.ELEV.**
ISSUE: **DESIGN DEVELOPMENT**
DRAWING NUMBER:

ID4.26



ETCH DESIGN GROUP

CKN CAPITAL GROUP
1602 TAYLOR GAINES STREET | AUSTIN, TX 78741



PRELIMINARY
NOT FOR CONSTRUCTION

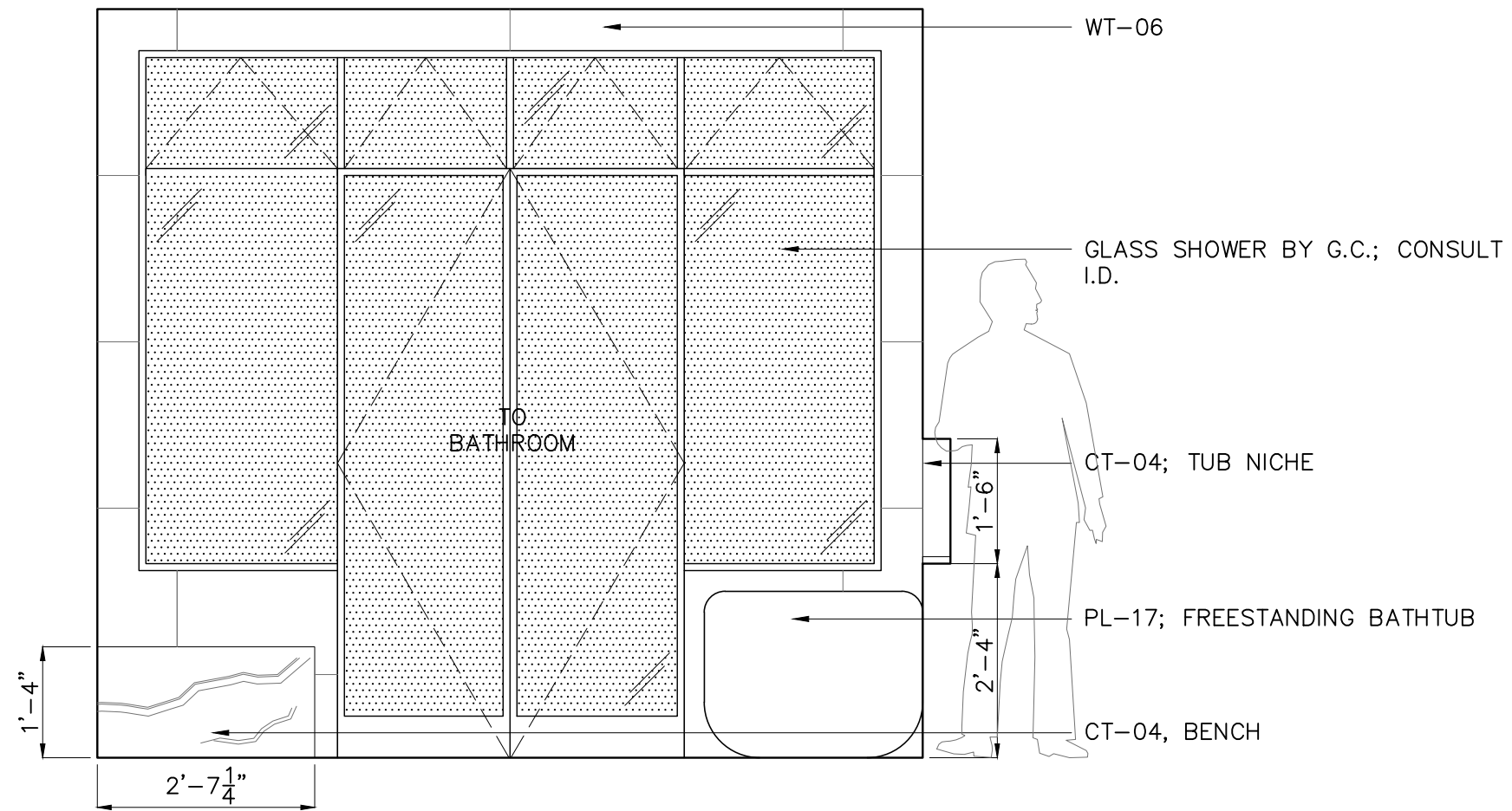
DATE:
04.13.2023
DRAWING:
INT.ELEV.
ISSUE:
**DESIGN
DEVELOPMENT**
DRAWING NUMBER:

ID4.27



ETCH DESIGN GROUP

CKN CAPITAL GROUP
1602 TAYLOR GAINES STREET | AUSTIN, TX 78741



PRELIMINARY
NOT FOR CONSTRUCTION

DATE:
04.13.2023

DRAWING:
INT.ELEV.

ISSUE:
**DESIGN
DEVELOPMENT**

DRAWING NUMBER:

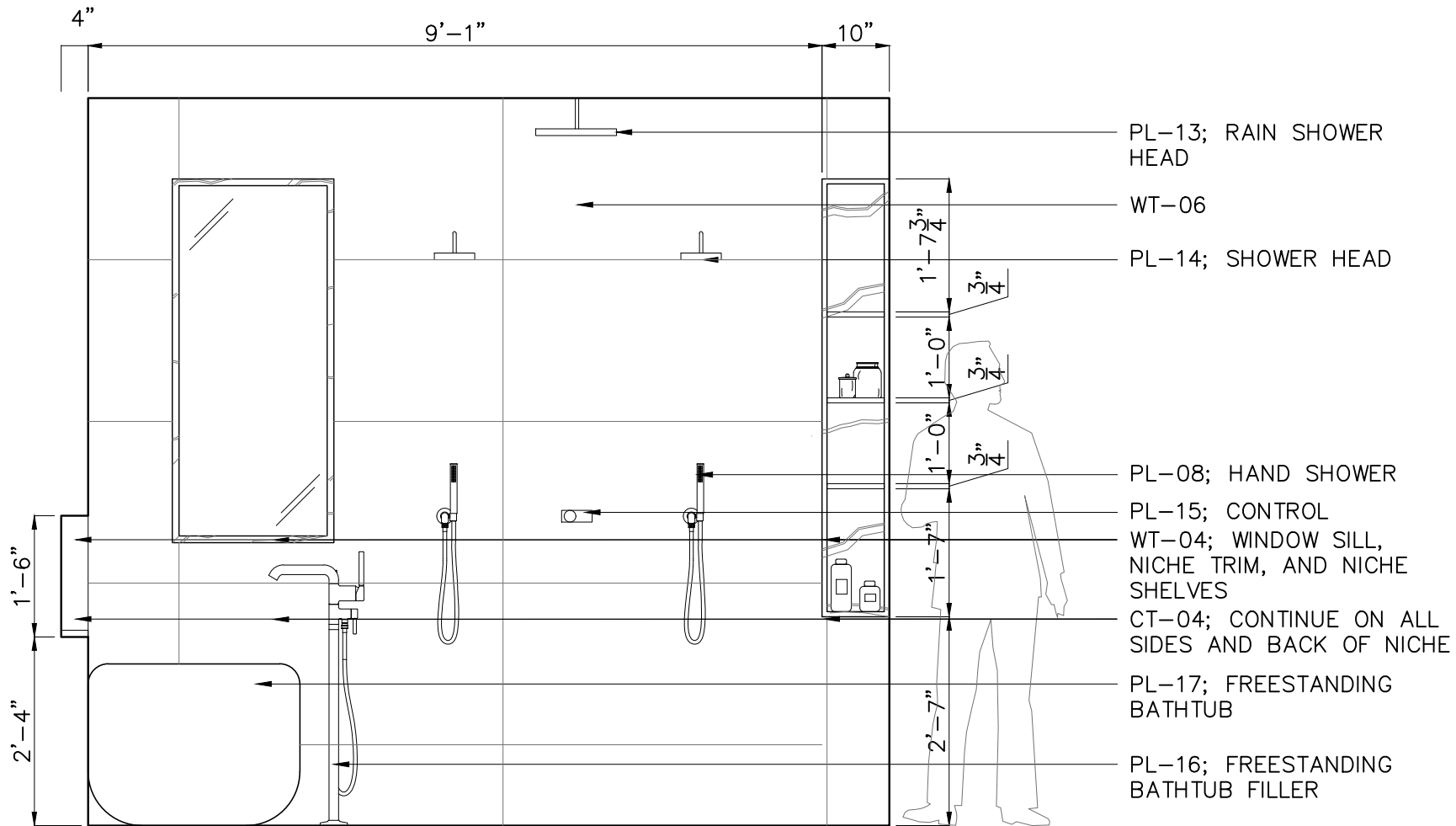
ID4.28



ETCH DESIGN GROUP

CKN CAPITAL GROUP

1602 TAYLOR GAINES STREET | AUSTIN, TX 78741



PRELIMINARY
NOT FOR CONSTRUCTION

DATE:
04.13.2023

DRAWING:
INT.ELEV.

ISSUE:
**DESIGN
DEVELOPMENT**

DRAWING NUMBER:

ID4.29



ETCH DESIGN GROUP

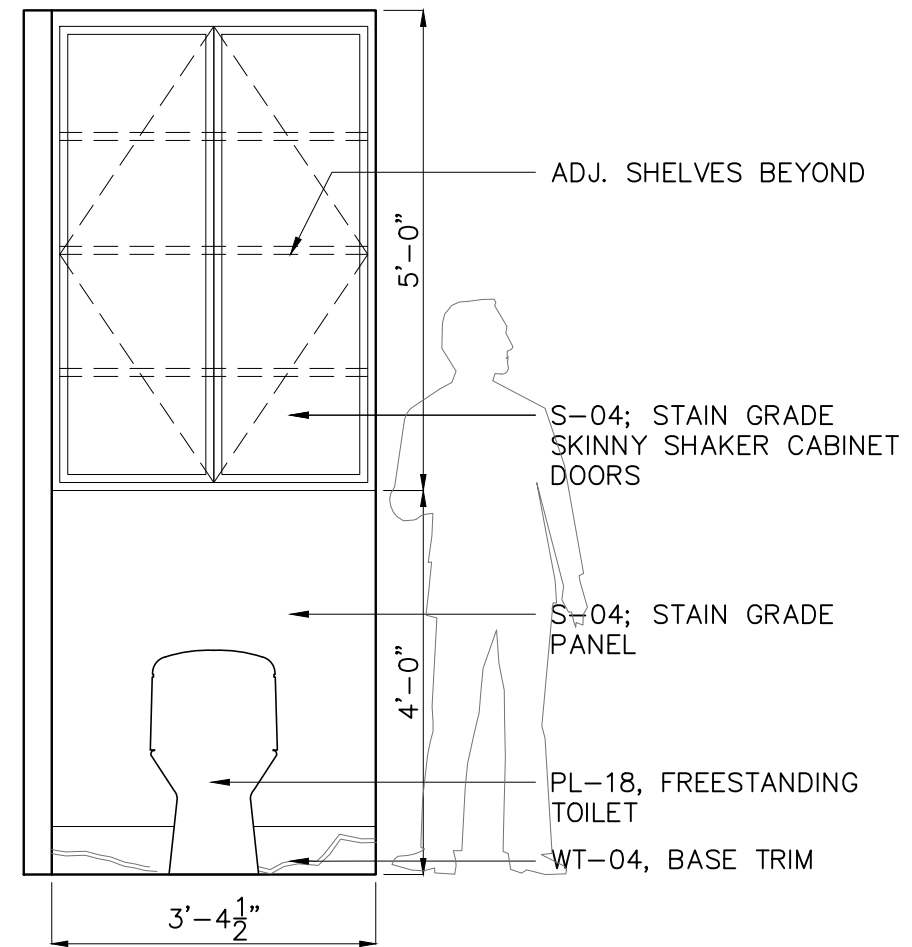
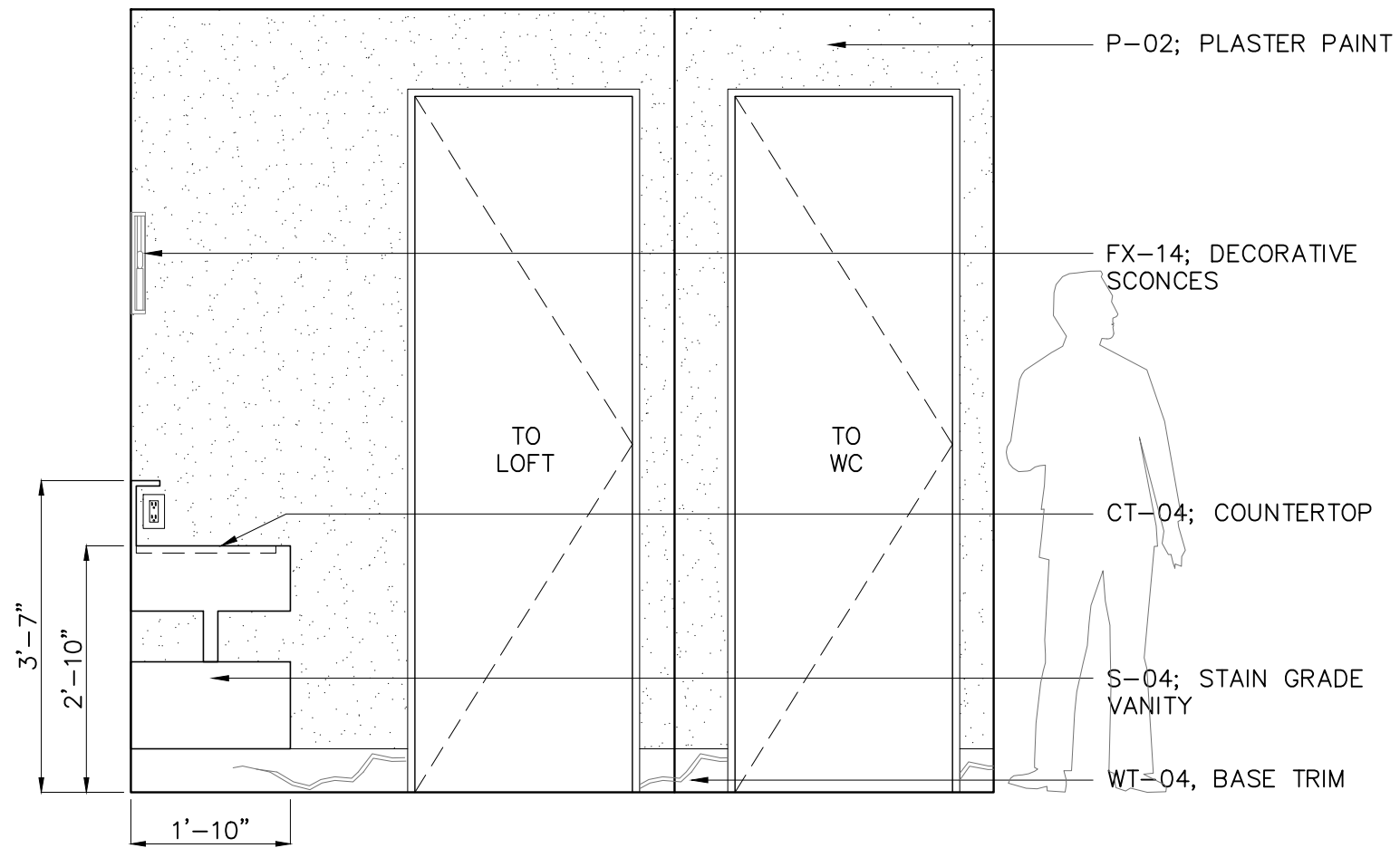
1602 TAYLOR GAINES STREET | AUSTIN, TX 78741

CKN CAPITAL GROUP

DATE: **04.13.2023**
DRAWING: **INT.ELEV.**
ISSUE: **DESIGN DEVELOPMENT**

DRAWING NUMBER:

ID4.30

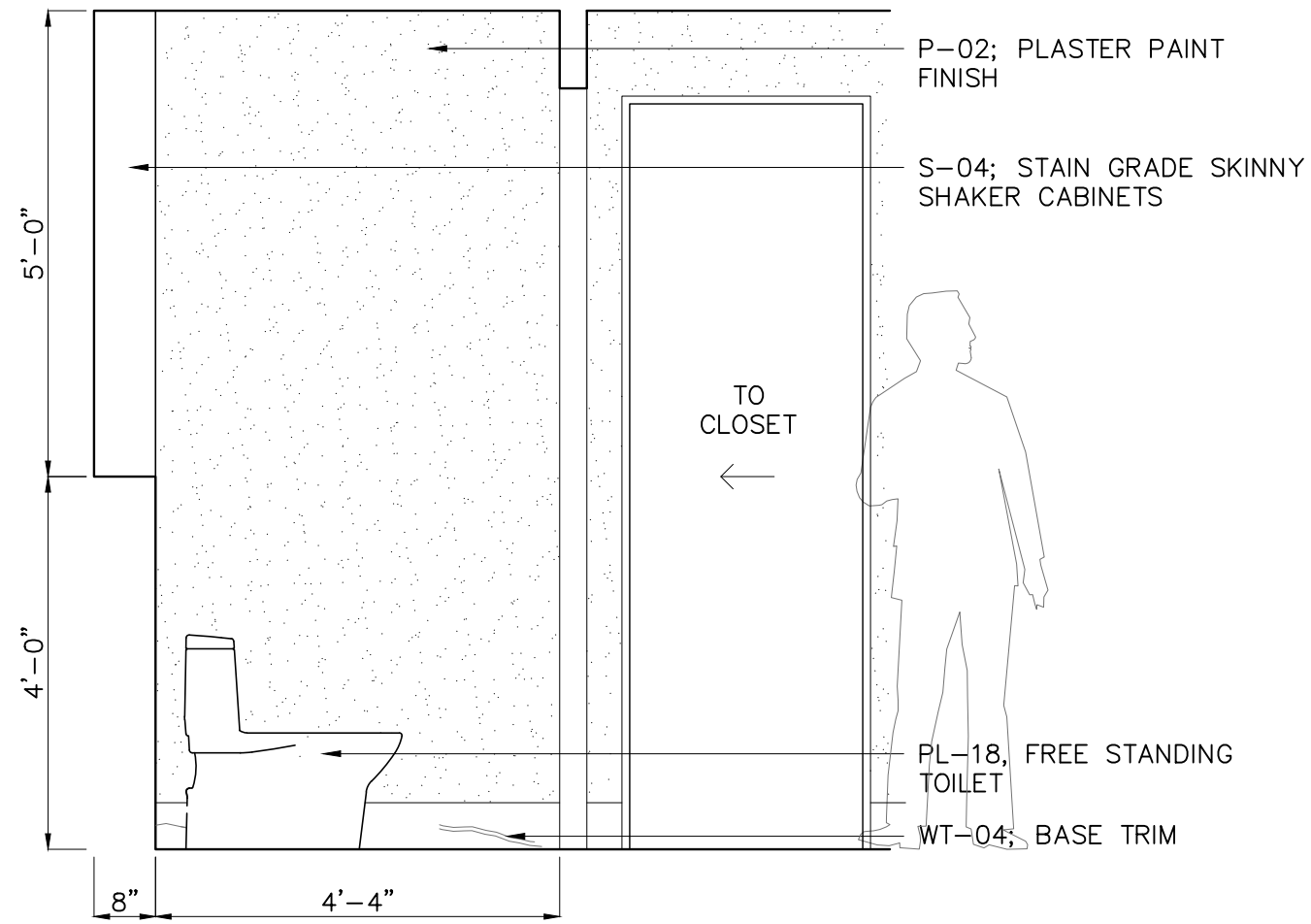


PRELIMINARY
NOT FOR CONSTRUCTION



ETCH DESIGN GROUP

CKN CAPITAL GROUP
1602 TAYLOR GAINES STREET | AUSTIN, TX 78741

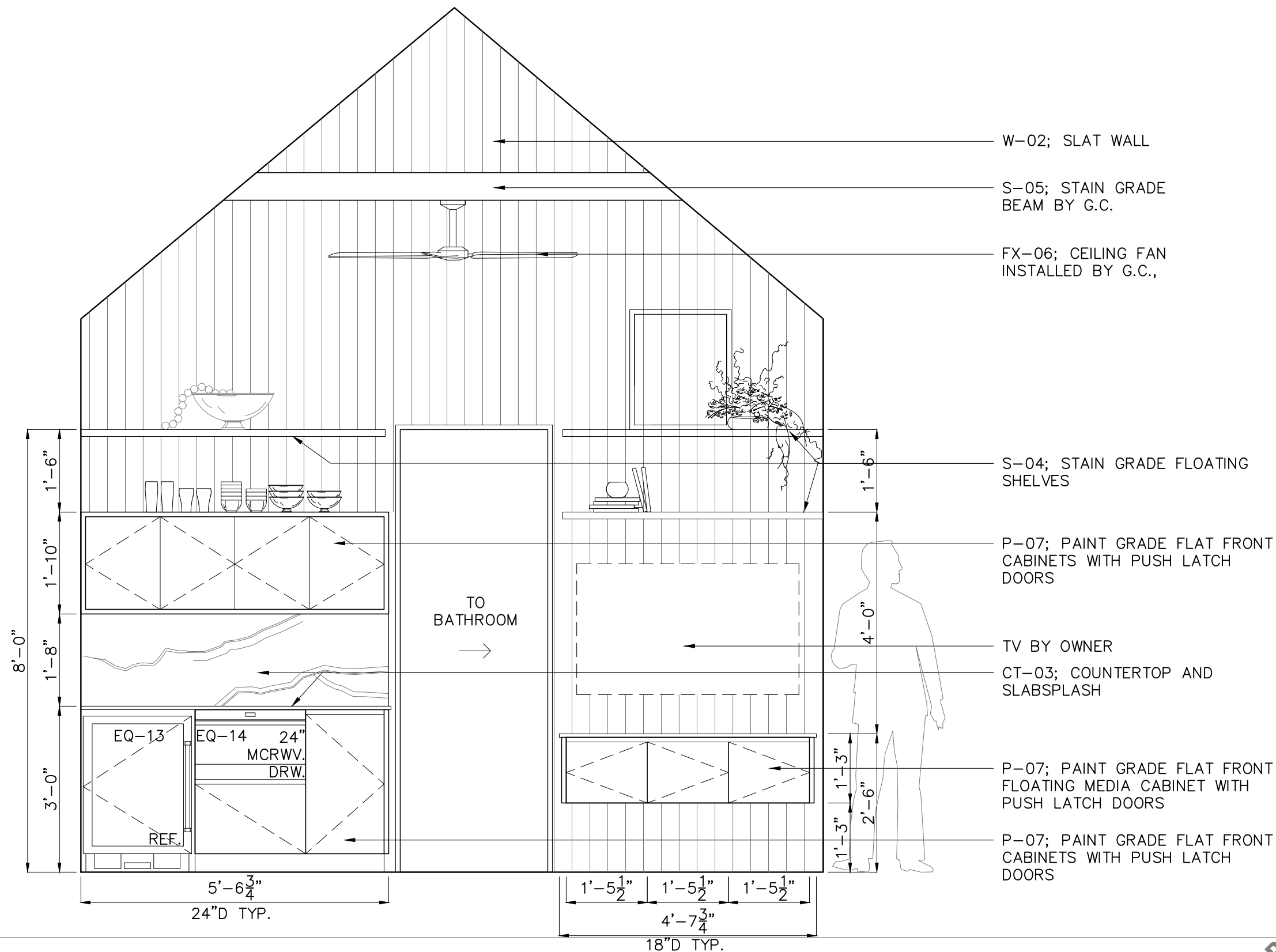


PRELIMINARY
NOT FOR CONSTRUCTION

DATE: **04.13.2023**
DRAWING: **INT.ELEV.**
ISSUE: **DESIGN DEVELOPMENT**
DRAWING NUMBER:

ID4.31

CKN CAPITAL GROUP



PRELIMINARY
NOT FOR CONSTRUCTION

DATE: **04.13.2023**
 DRAWING: **INT.ELEV.**
 ISSUE: **DESIGN DEVELOPMENT**
 DRAWING NUMBER:

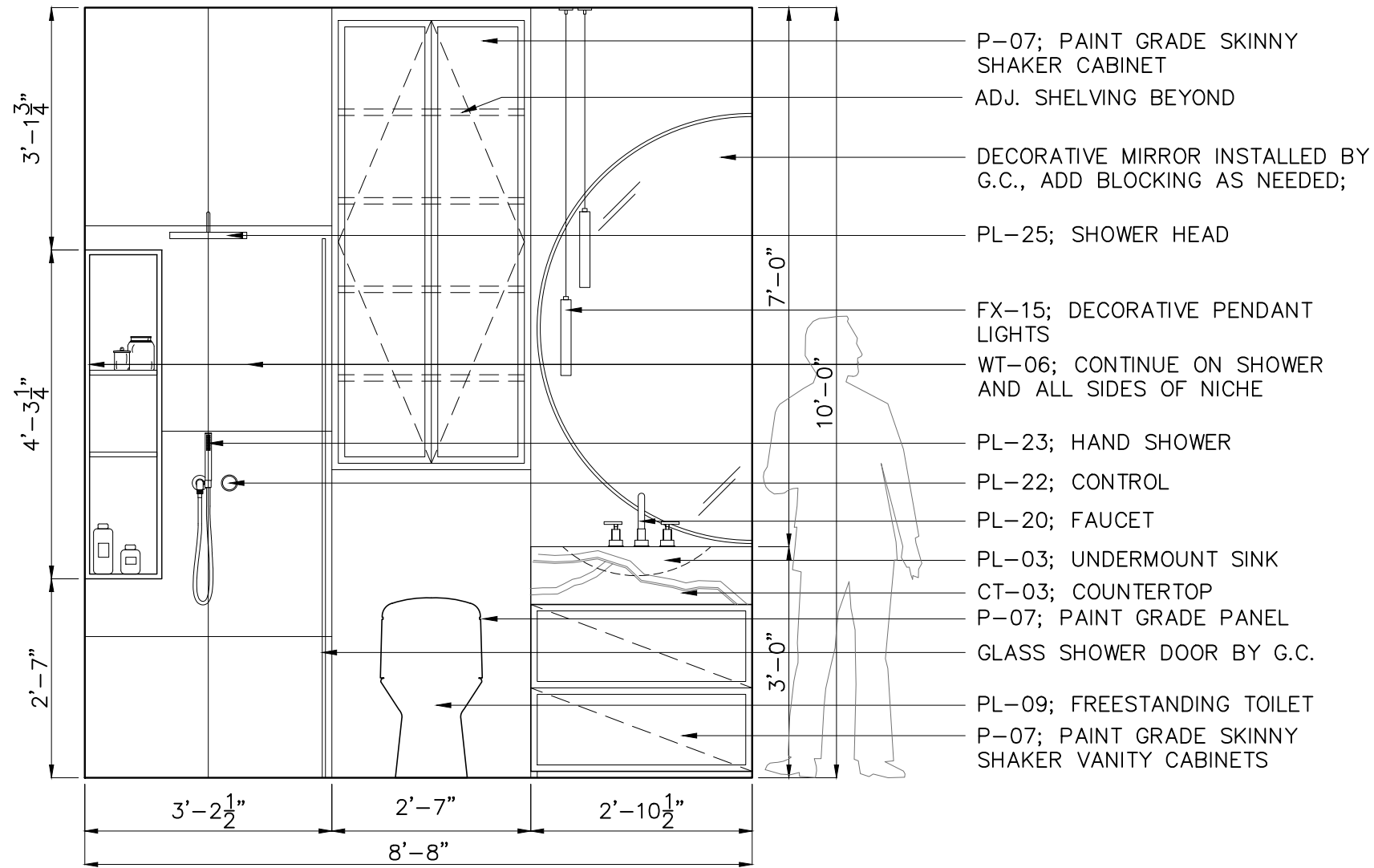
ID4.32



ETCH DESIGN GROUP

CKN CAPITAL GROUP

1602 TAYLOR GAINES STREET | AUSTIN, TX 78741



PRELIMINARY
NOT FOR CONSTRUCTION

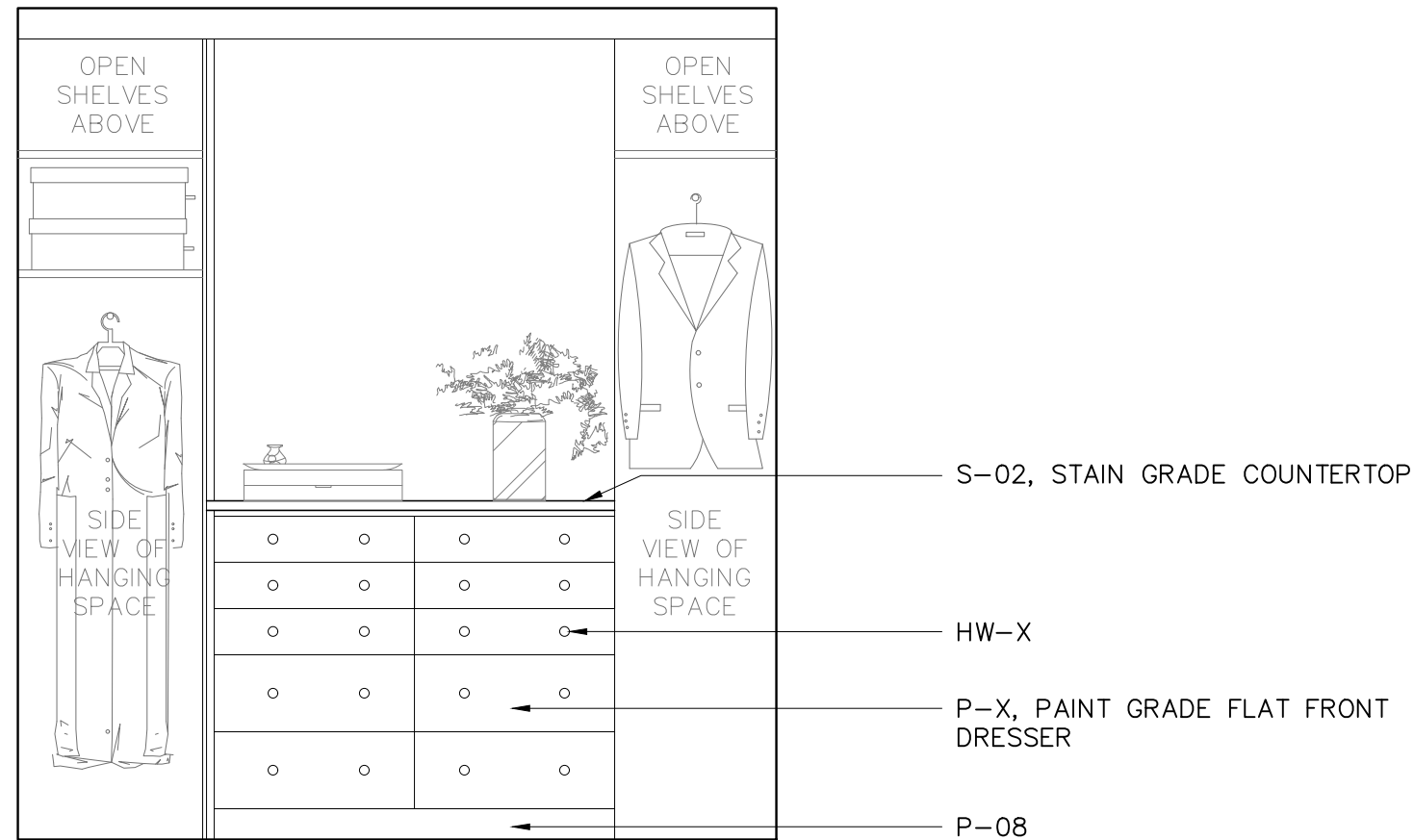
DATE: **04.13.2023**
DRAWING: **INT.ELEV.**
ISSUE: **DESIGN DEVELOPMENT**
DRAWING NUMBER:

ID4.33



ETCH DESIGN GROUP

CKN CAPITAL GROUP
1602 TAYLOR GAINES STREET | AUSTIN, TX 78741



PRELIMINARY
NOT FOR CONSTRUCTION

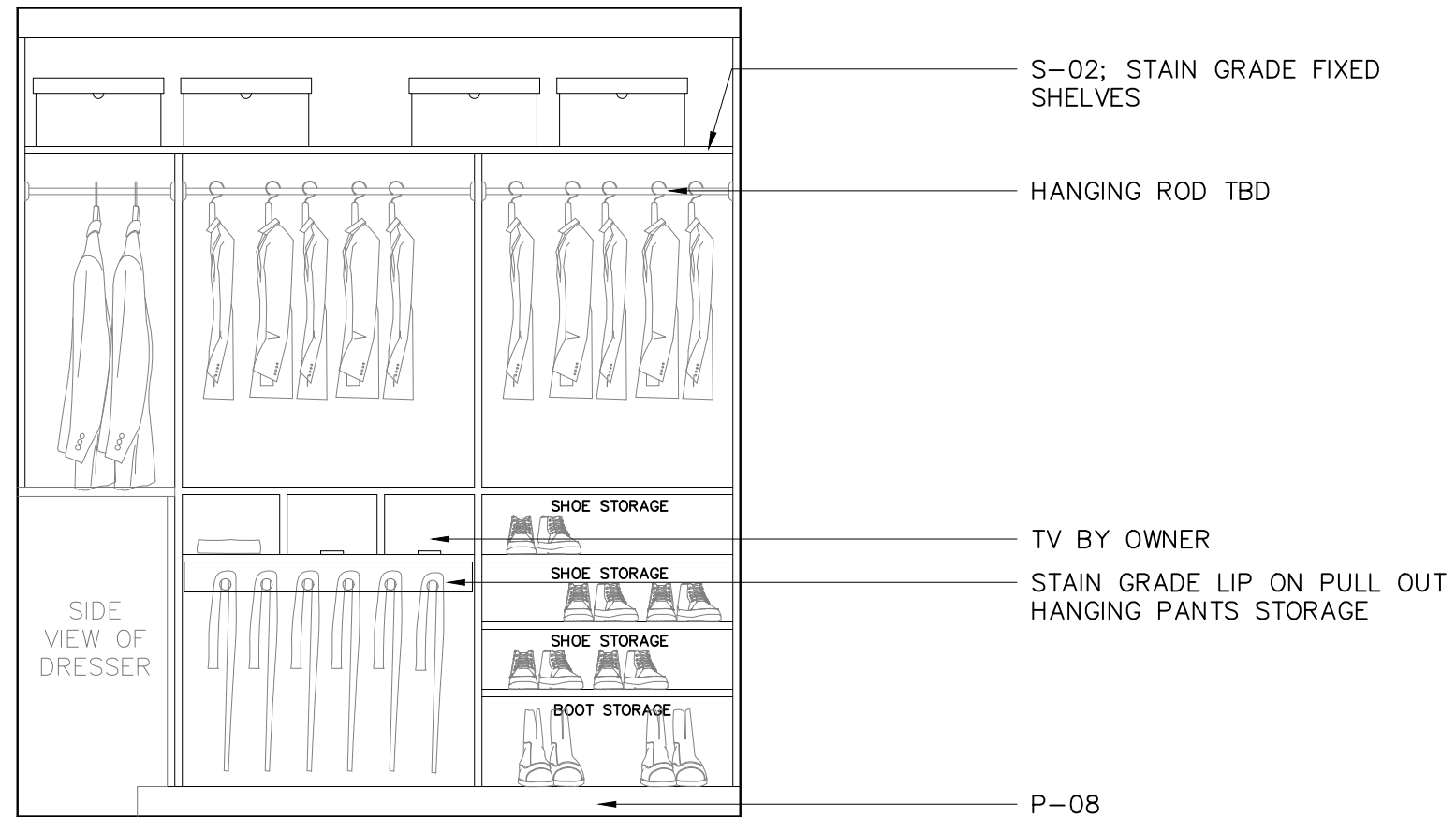
DATE: **04.13.2023**
DRAWING: **INT.ELEV.**
ISSUE: **DESIGN DEVELOPMENT**
DRAWING NUMBER:

ID4.34



ETCH DESIGN GROUP

CKN CAPITAL GROUP
1602 TAYLOR GAINES STREET | AUSTIN, TX 78741



PRELIMINARY
NOT FOR CONSTRUCTION

DATE:
04.13.2023

DRAWING:
INT.ELEV.

ISSUE:
**DESIGN
DEVELOPMENT**

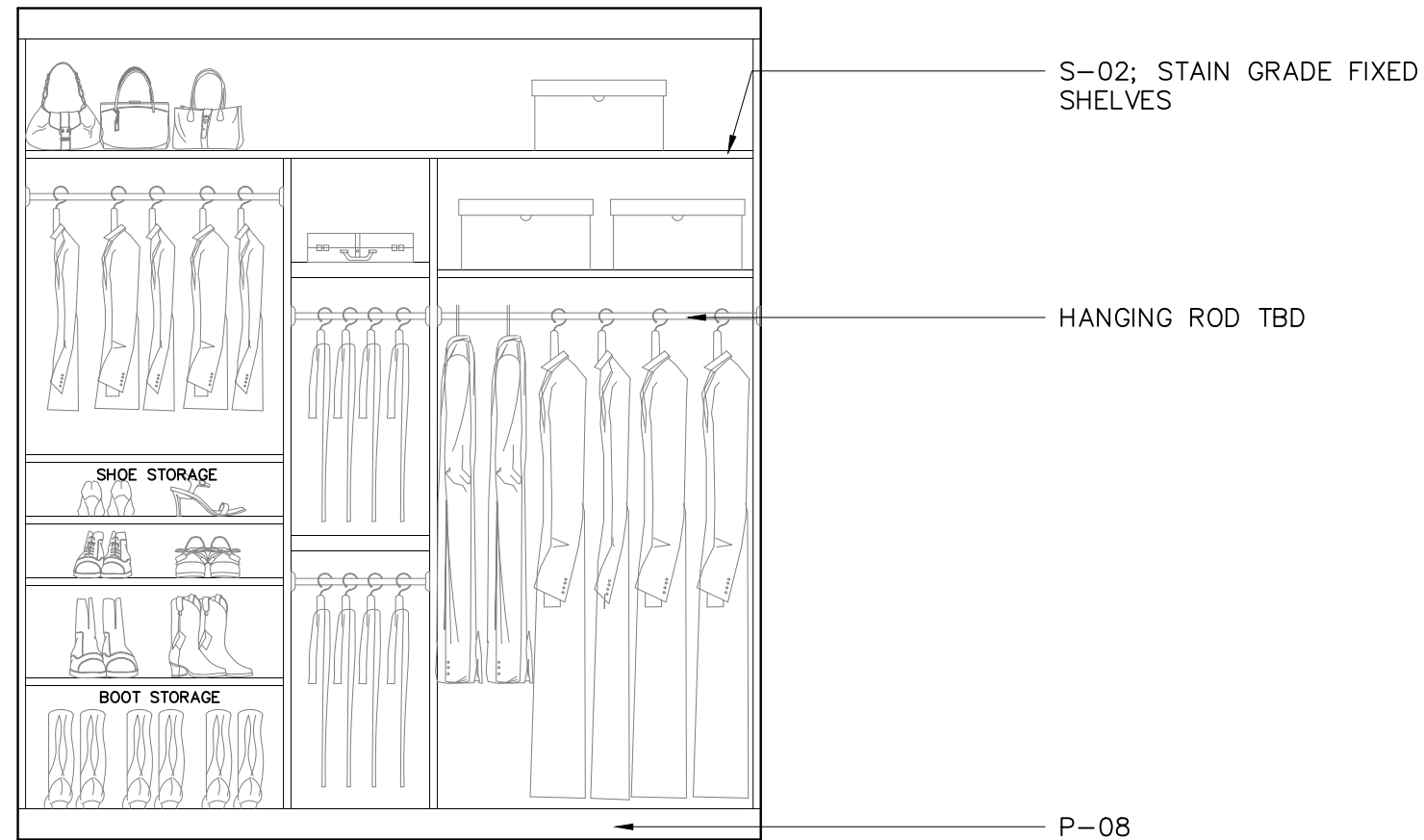
DRAWING NUMBER:

ID4.35



ETCH DESIGN GROUP

CKN CAPITAL GROUP
1602 TAYLOR GAINES STREET | AUSTIN, TX 78741



PRELIMINARY
NOT FOR CONSTRUCTION

DATE:
04.13.2023
DRAWING:
INT.ELEV.
ISSUE:
**DESIGN
DEVELOPMENT**
DRAWING NUMBER:

ID4.36